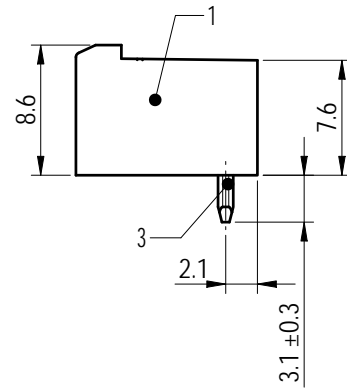
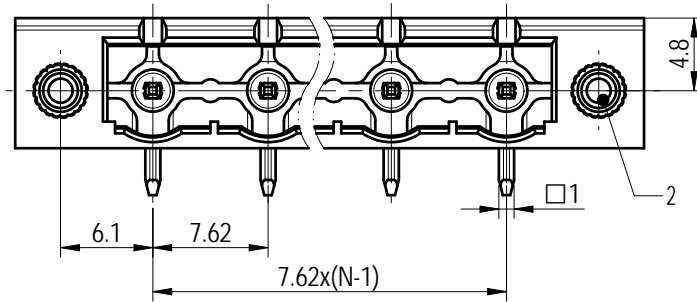
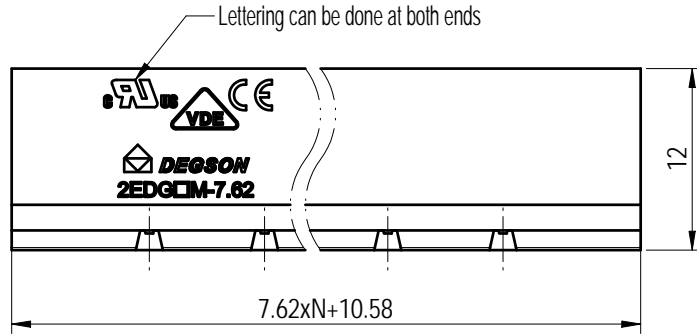
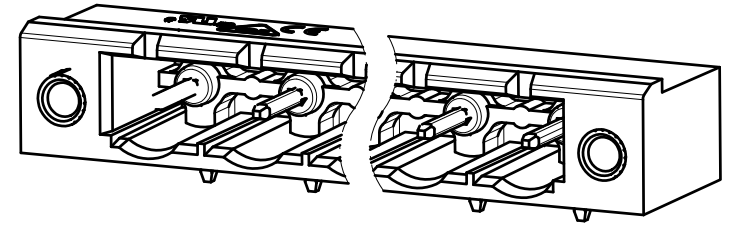
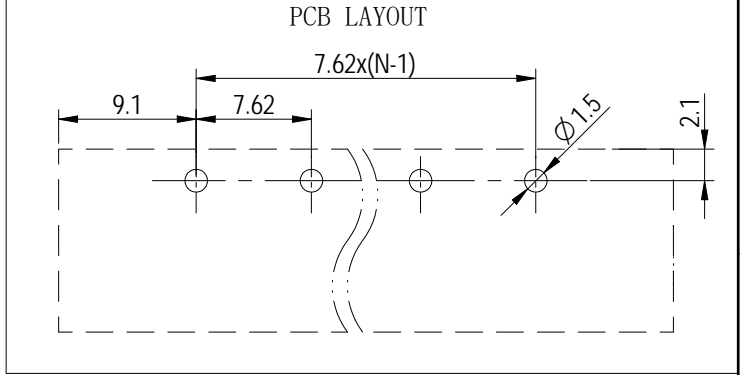


Transfer or duplication of this document as well as the utilization or communication of its content are prohibited unless authorized in writing. All rights reserved for patent, utility model or design registrations. 除专利等权利外，其他权利均归德尚公司所有。未经许可，不得复制或传播本文件内容。德尚公司保留所有权利。



未注公差/General tolerances (mm)													D	
0 ~ 3	>3 ~ 6	>6 ~ 10	>10 ~ 18	>18 ~ 30	>30 ~ 50	>50 ~ 80	>80 ~ 120	>120 ~ 180	>180 ~ 250	>250 ~ 315	>315 ~ 400	>400 ~ 500		>500
±0.12	±0.18	±0.22	±0.26	±0.31	±0.37	±0.57	±0.80	±0.93	±1.05	±1.15	±1.60	±2.20	±2.50	0.1/10
														±2'



ITEM	NAME OF PART	MATERIAL	NOTES
3	Pin	Copper	Sn Plated
2	Nut	Copper alloy	/
1	Housing	PA66	UL94V-0

UL 标准/UL Standard:	B	C	D
额定电压/电流/Rated Voltage(V)/Current(A)	300/15	/	300/10
IEC 标准/IEC Standard:			
过压类别/Overvoltage Category/污染等级/Pollution Degree	III/3	III/2	II/2
额定电压/电流/Rated Voltage(V)/Current(A)	/	400/20	/
额定脉冲电压(kV)/Rate Impulse Voltage(kV)	/	4	/
间距/Pitch(mm)/线数范围/Poles	7.62/N=02~12P		
使用温度范围/Operating temperature(°C)	-40~+105		
符合RoHS环保要求/Conform to RoHS	Yes		
标准颜色编号/Standard color number: PANTONE / RAL	/		

DEGSON

APPD: 兰春华 2024.09.19
 CHKD: 龚耀志 2024.09.18
 DRFT: 牛泰 2024.09.18

MATERIAL:	SURFACE/COLOR:		
MAT NO./REV:	/ 00	MAT STATUS: 批量	
NAME			
2EDGRM-7.62-XXP-1Y-100A&Z(H)			
DRAWING NO.	TYPE	DRAWING STATUS	SCALE
200021080	CUSTOMER DRAWING	已发布	2:1
			SHEET
			1/1

REV	ECN	DESCRIPTION	DRFT	DATE
01		update the view	牛泰	2024.09.18