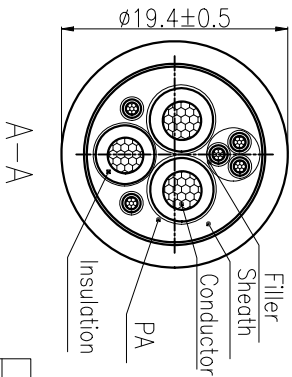
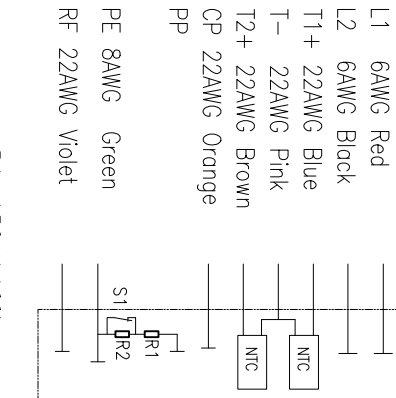
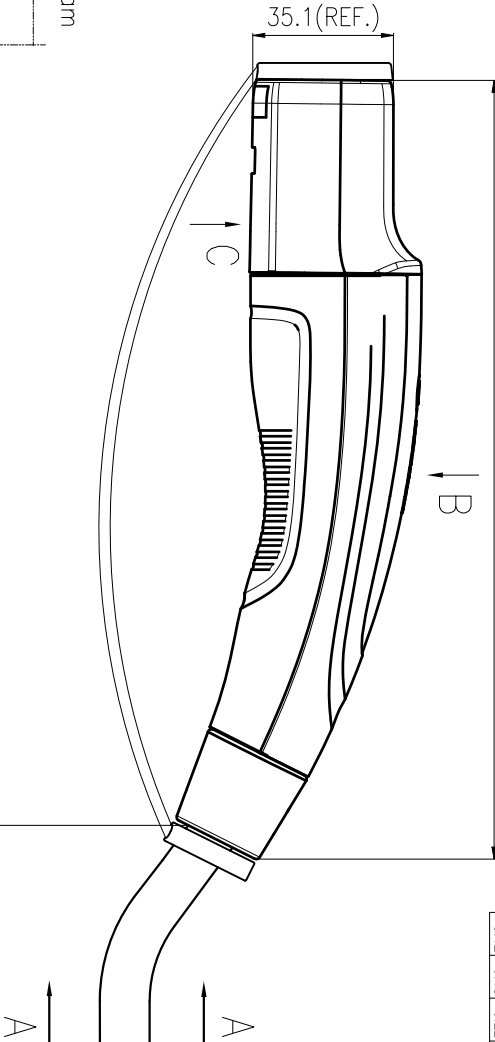


Wiring diagram



194.3(REF.)



Laser Printing Note:

UL No.: E505319  
MTAC-S-080A-V5-03-5.0M-10A(H)  
80A 240V AC  
TYPE 3R  
OP-40+50°C  
20xxxxx-xxxx

**PAVUS**

公差/General tolerances(mm)		公差/General tolerances(mm)
0	>3	>180
~	~	~
±0.12	±0.18	±2.20

L1/L2/PE Half-Stripping 10mm  
CP/T1+/T2+/-/RF Half-Stripping 8mm

(Straightening measurement)

200±20

REV	ECN	DESCRIPTION	DRAFT	DATE	DRAWING NO.	TYPE	DRAWING STATUS	SCALE	SHEET
1						CUSTOMER DRAWING		1:3	1/1



APPD: [ ]  
CHKD: [ ]  
DRAFT: Zhang Q. 2024.08.22  
A4  
1:3

NAME: MTAC-S-080A-V5-03-5.0M-10A(H)

额定电压/Rated voltage	240V AC/80A
额定电流/Rated current	>100MA,500V DC, 1min
绝缘电阻/Insulation resistance	L1, L2 and PE .2500V AC 1min
耐压/Withstanding voltage	L1 and L2 .2500V AC 1min
防护等级/Ingress protection	TYPE 3R
插拔寿命/Insertion/Pullout times	10,000 Times
插拔力/Insertion/Pullout force	<90N
使用温度范围/Operating temperature(°C)	-40 ~ +50
线材规格/Cable specification	2*6AWG+1*8AWG+5*22AWG Black
标准/Reference standard	MACS,UL2251
符合RoHS环保要求/Conform to RoHS	Yes

MATERIAL: SURFACE COLOR

MAT NO:REV: DO-1

APPD: [ ]  
CHKD: [ ]  
DRAFT: Zhang Q. 2024.08.22  
A4  
1:3