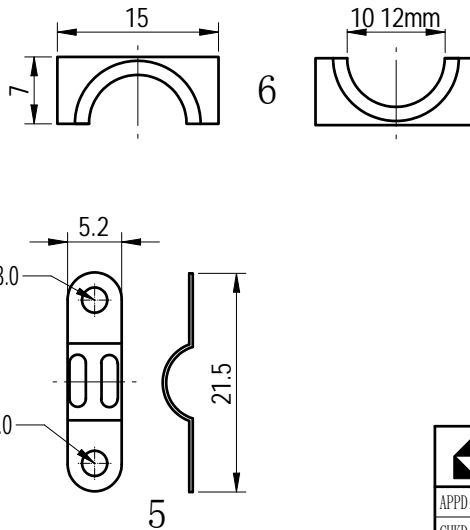
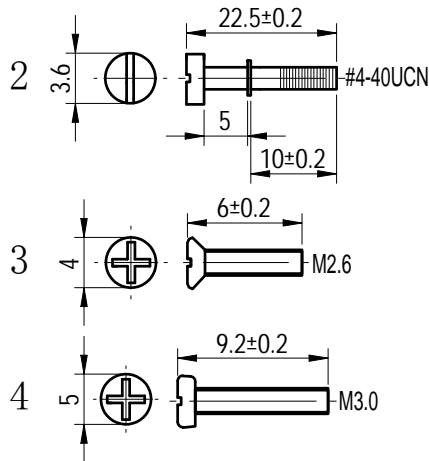
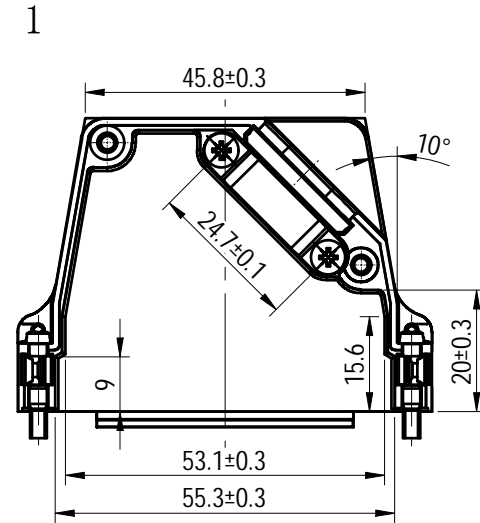
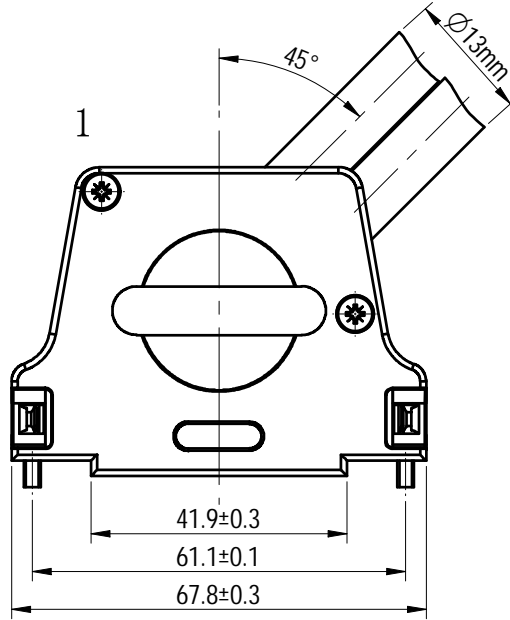
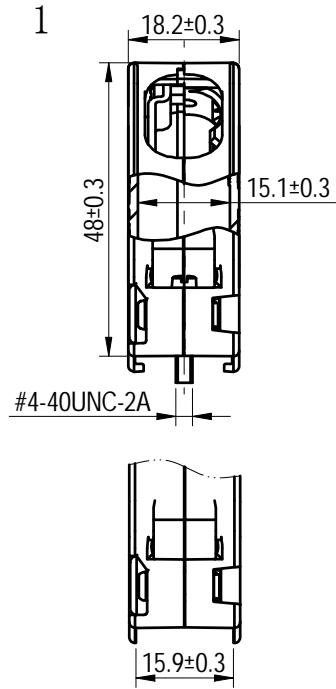


RoHS Compliant



Material description:

- 1.Shell:zinc alloy, nickel plated surface.
- 2.Half-tooth screw:12L14 iron-nickel plating #4-40UCN.
- 3.Flat head screw:Fe-Ni plated M2.6 teeth.
- 4.Round head screw:Fe-Ni plated M3.0 teeth.
- 5.Curved metal clamp:Nickel plating on zinc alloy surface.
- 6.Aperture clamp:Nickel plating on zinc alloy surface.

Tolerance Unspecified  
 X.X ±0.38  
 X.XX ±0.25  
 X.XXX ±0.15  
 X.° ±2°  
 X.X° ±1°

REV	ECN	DESCRIPTION	DRFT	DATE
00				

		MATERIAL:	SURFACE/COLOR:		
		MAT NO./REV:	MAT STATUS: 批量		
APPD:		NAME			
CHKD:		DG.23005 45度 FM型DB 37P金属壳			
DRFT:	唐本恒	2023.9.11	DRAWING NO.	TYPE	DRAWING STATUS
			200035879	CUSTOMER DRAWING	work
			SCALE	SHEET	
			2:1	1/1	