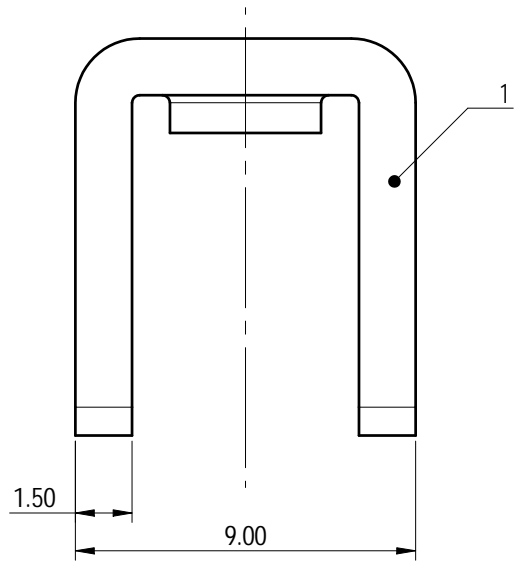
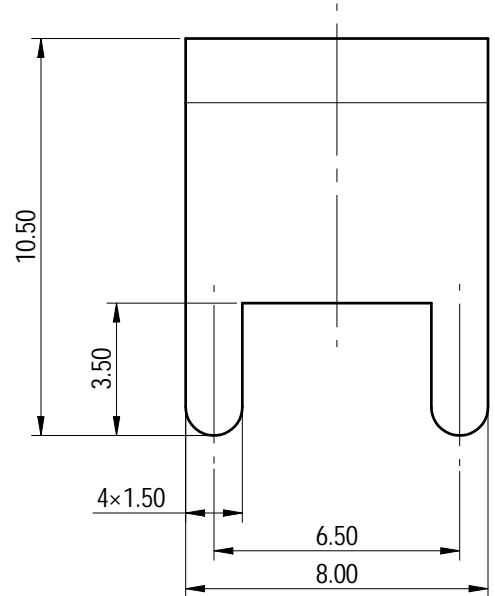
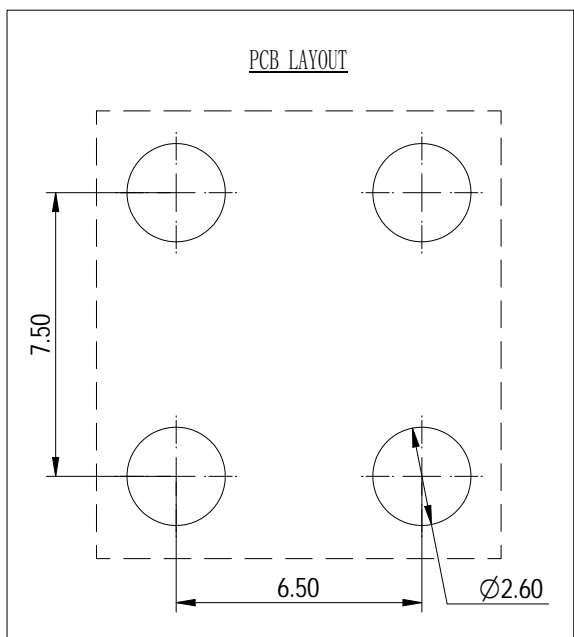
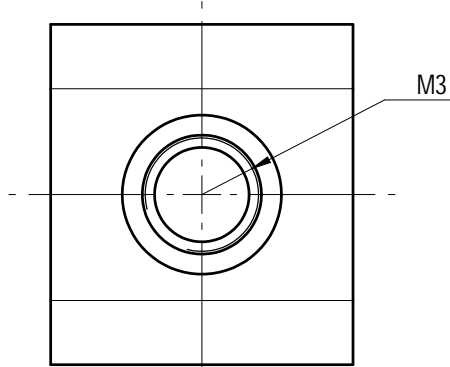


Transfer or duplication of this document as well as the utilization or communication of its contents are prohibited unless authorized in writing by the copyright owner. All rights reserved for patent, utility model or design registrations. 除专利权明确授权外，否则禁止转让、复制、引用、交流本文件的内容。未经许可擅自复制或传播本文件内容，侵权必究。



未注公差/General tolerances (mm)													0.1/10	
0	>3	>6	>10	>18	>30	>50	>80	>120	>180	>250	>315	>400	>500	0.1/10
~3	~6	~10	~18	~30	~50	~80	~120	~180	~250	~315	~400	~500		
±0.12	±0.18	±0.22	±0.26	±0.31	±0.37	±0.57	±0.80	±0.93	±1.05	±1.15	±1.60	±2.20	±2.50	±2'

1	Pin header	Copper alloy	Sn Plated
ITEM	NAME OF PART	MATERIAL	NOTES
额定电流/Rated Current(A)			38A
螺丝扭矩/Torque Tightening(N·m/Lb.in)			M3, 0.5/4.43
符合RoHS环保要求/Conform to RoHS			Yes

DEGSON		MATERIAL:	SURFACE/COLOR:	
APPD: 蓝贵凡 2024.04.09		MAT NO./REV: 10900000068-1 / 00	MAT STATUS: 批量	
CHKD: 曹利彬 2024.04.09		NAME		
DRFT: 姜民洁 2024.04.09		K46-00Z (H)		
DRAWING NO.	TYPE	DRAWING STATUS	SCALE	SHEET
200276421	CUSTOMER DRAWING	已发布	5:1	1/1

00			姜民洁	2024.04.09
REV	ECN	DESCRIPTION	DRFT	DATE