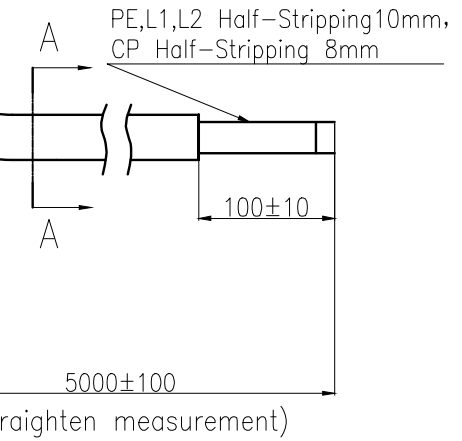
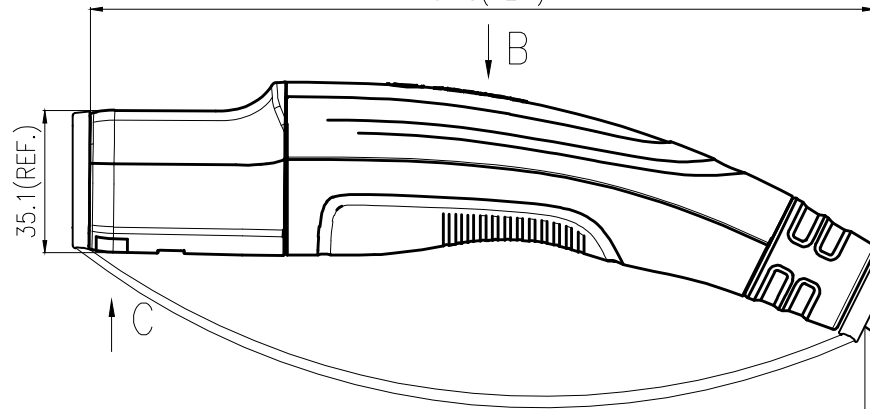
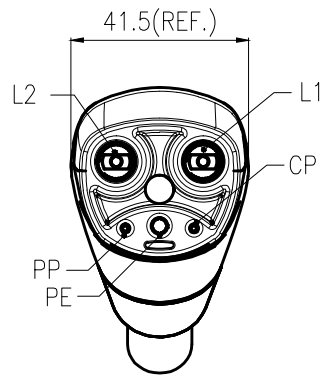
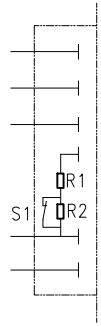


未注公差/General tolerances(mm)											0.1/10 ±2'		
0	>3	>6	>10	>18	>30	>50	>80	>120	>180	>250			
~ 3	~ 6	~ 10	~ 18	~ 30	~ 50	~ 80	~ 120	~ 180	~ 250	~ 315	~ 400	~ 500	>500
±0.12	±0.18	±0.22	±0.26	±0.31	±0.37	±0.57	±0.80	±0.93	±1.05	±1.15	±1.60	±2.20	±2.50



Wiring diagram

- L1 8AWG Brown
- L2 8AWG Blue
- CP 22AWG Orange
- PP
- PE 10AWG Yellow/Green
- RF 22AWG Red

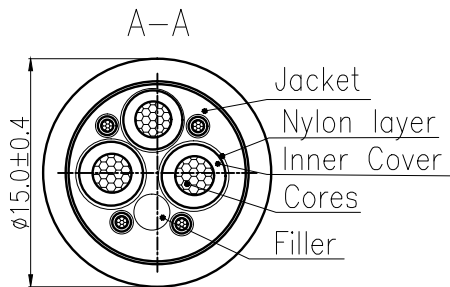


R1 = 150Ω ± 10%
R2 = 330Ω ± 10%

B Silk screen printing:
DEGSON

C Laser Printing Note:
MTAC-S-040A-V3-03-5.0M-10AH
48A 240V AC
IP67
20xxxxxx-xxxx

Note:
1.The other 2 and 22AWG cables are cut off.
2.This drawing is the first version of the drawing and may be changed in the future



额定电压电流/Rated voltage/Current	240V AC/40A
绝缘电阻/Insulation resistance	>100MΩ,500V DC 1min
耐压/Withstanding voltage	L1、L2 and PE ,2500V AC 1min
	L and L2 ,2500V AC 1min
防护等级/Ingress protection	IP67
插拔寿命/Insertion/Pullout times	10,000 Times
插拔力/Insertion/Pullout force	<90N
使用温度范围/Operating temperature(°C)	-30~+50
线材规格/Cable specification	2*8AWG+1*10AWG+4*22AWG Black
标准/Reference standard	NACS,UL2251
符合RoHS环保要求/Conform to RoHS	Yes

DEGSON		MATERIAL:	SURFACE/COLOR	
APPD:		MAT NO./REV:	DO-1 MAT STATUS:	
CHKD:		NAME:	MTAC-S-040A-V3-03-5.0M-10A(H)	
DRFT:	Zhang Q 2023.11.08	DRAWING NO.:	TYPE:	DRAWING STATUS:
A4		CUSTOMER DRAWING		SCALE: 1:3
				SHEET 1/1

REV	ECN	DESCRIPTION	DRFT	DATE

Transfer or duplication of this document as well as the utilization or communication of its contents are prohibited unless explicit authorization is granted. Violations will be liable for compensation. All rights reserved for patent, utility model or design registrations. 未经授权复制或传播本文件内容，未经许可擅自使用，侵权者将承担法律责任。本公司保留所有权利。