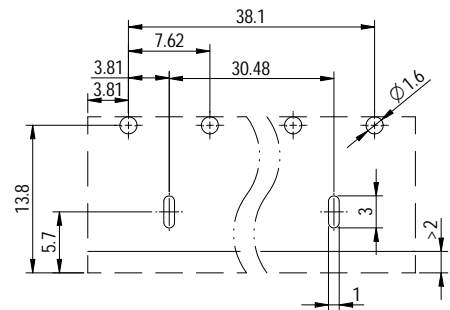
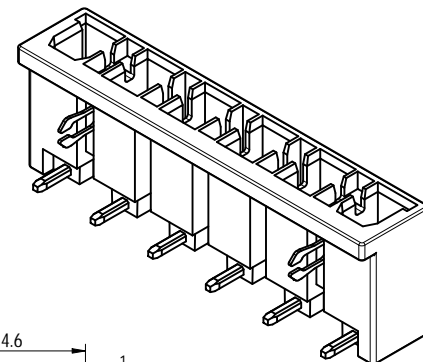
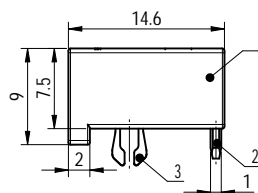
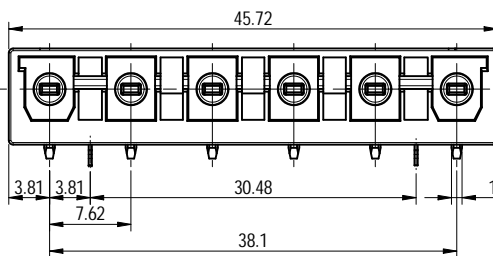
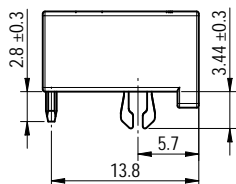
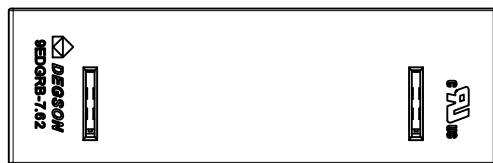


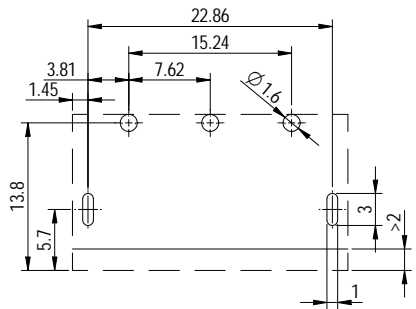
PCB LAYOUT



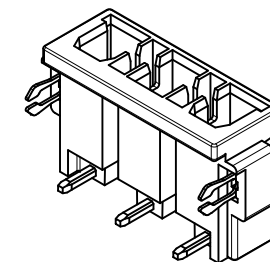
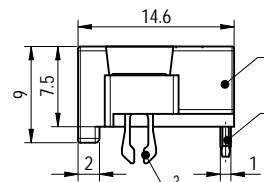
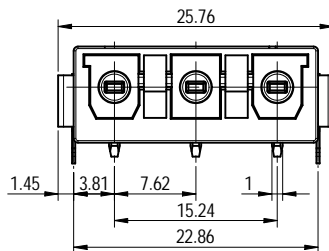
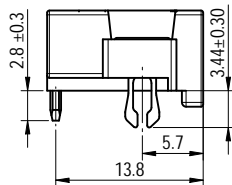
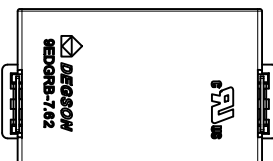
06P



PCB LAYOUT



03P



Note:
The A&Z(H) in the name means: A(H) and Z(H).

3	Fixator	Stainless steel	Sn Plated
2	Pin	Copper	Sn Plated
1	Housing	Thermoplastic	UL94V-0
ITEM	NAME OF PART	MATERIAL	NOTES

UL 标准/UL Standard:		C	D	F
额定电压/电流/Rated Voltage(V)/Current(A)		300/20	600/5	600/20
IEC 标准/IEC Standard:				
过压类别/Overvoltage Category/污染等级/Pollution Degree		III/3	III/2	II/2
额定电压/电流/Rated Voltage(V)/Current(A)		400/20	630/20	1000/20
额定脉冲电压(KV)/Rate Impulse Voltage(KV)		6	6	6
间距/Pitch(mm)/线数范围/Poles		7.62N=03/06P		
使用温度范围/Operating temperature(°C)		-40~+130		
符合RoHS环保要求/Conform to RoHS		Yes		
备注/Note		固定脚不带电, 不接地		

DEGSON		MATERIAL:	SURFACE/COLOR:		
APPD: 兰春华		MAT NO./REV:	/ 01.01 MAT STATUS: 批量		
CHKD: 陈超		NAME: 9EDGRB-7.62-XXP-1Y-00A&Z(H)			
DRFT: 陈超		DRAWING NO.	TYPE	DRAWING STATUS	SCALE
REV		ECN	DESCRIPTION	DRFT	DATE
00				陈超	2023.08.03
1				陈超	2023.08.03
A3		200110442		CUSTOMER DRAWING	已发布
1/1		2:1		1/1	

This document is the intellectual property of DEGSON. It is not to be reproduced, stored in a retrieval system, or transmitted in any form or by any means, electronic, mechanical, photocopying, recording, or by any information storage and retrieval system, without the prior written permission of DEGSON. All rights reserved for patent.