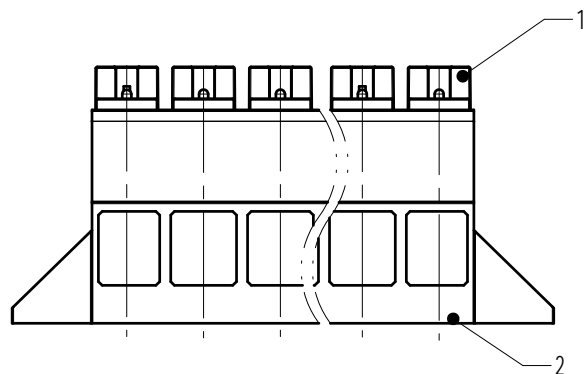
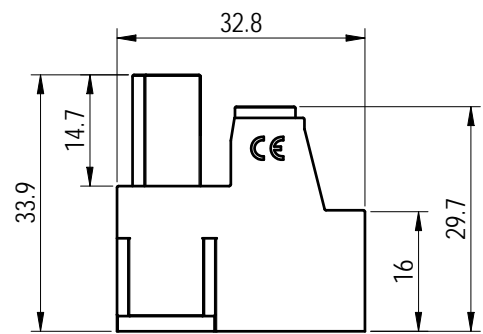
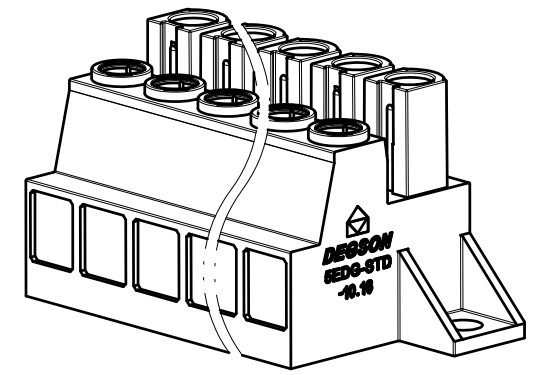
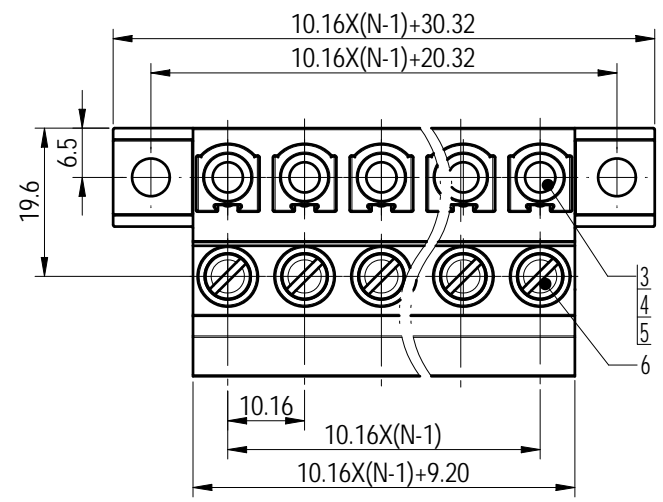


Transfer or duplication of this document as well as the utilization or communication of its contents are prohibited unless authorized in writing. All rights reserved for patent, utility model or design registrations. 除专利、实用新型、外观设计、发明专利、软件著作权、集成电路布图设计专有权、商业秘密等权利外，其他权利均归本公司所有。

未注公差/General tolerances (mm)												0.1/10 ±2'	
0	>3	>6	>10	>18	>30	>50	>80	>120	>180	>250	>315		>400
~3	~6	~10	~18	~30	~50	~80	~120	~180	~250	~315	~400	~500	>500
±0.12	±0.18	±0.22	±0.26	±0.31	±0.37	±0.57	±0.80	±0.93	±1.05	±1.15	±1.60	±2.20	±2.50



Note:
The A&Z(H) in the name means: A(H) and Z(H).

ITEM	NAME OF PART	MATERIAL	NOTES
6	Screw	Steel	M4.5/Zn Plated
5	Cage	Copper alloy	M4.5/Ni Plated
4	Spring	Stainless steel	/
3	Clamp	Copper	Ag Plated
2	Cover	PA66	UL94V-0
1	Housing	PA66	UL94V-0

UL 标准/UL Standard:	B	C	D
额定电压/电流/Rated Voltage(V)/Current(A)	600/52	600/52	/
IEC 标准/IEC Standard:			
过压类别/Overvoltage Category/污染等级/Pollution Degree	III/3	III/2	II/2
额定电压/电流/Rated Voltage(V)/Current(A)	1000/57	1000/57	1000/57
额定脉冲电压(KV)/Rate Impulse Voltage(KV)	8	8	8
螺丝扭矩/Torque Tightening(N·m/Lb.in)	M4.5, 2.0/17.5		
线径范围(硬线和软线)/Wire Range(rigid and flexible)(AWG/mm ²)	20~6 / 0.5~16		
间距/Pitch(mm)/线数范围/Poles	10.16/N=02~12P		
剥线长度/Stripping length(mm)	11~12		
使用温度范围/Operating temperature(°C)	-40~+105		
符合RoHS环保要求/Conform to RoHS	Yes		
标准颜色编号/Standard color number: PANTONE / RAL	/		

DEGSON		MATERIAL:	SURFACE/COLOR:	
APPD: 兰春华	2023.01.11	MAT NO./REV: -	/ 00 MAT STATUS: 批量	
CHKD: 龚耀志	2023.01.11	NAME		
DRFT: 方哲盛	2023.01.11	5EDG-STD-10.16-XXP-1Y-00A&Z(H)		
00	REV	ECN	DESCRIPTION	方哲盛
2023.01.11	DATE	DRFT	DRFT: 方哲盛	2023.01.11
200019683	DRAWING NO.	TYPE	CUSTOMER DRAWING	DRAWING STATUS
A4	比例尺	1:1	已发布	SCALE
1/1	SHEET	1/1		

REV	ECN	DESCRIPTION	DRFT	DATE
00			方哲盛	2023.01.11