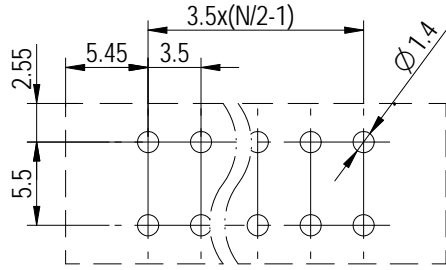
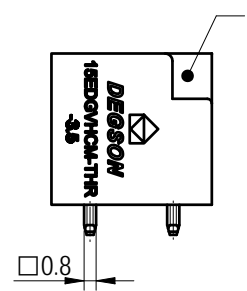
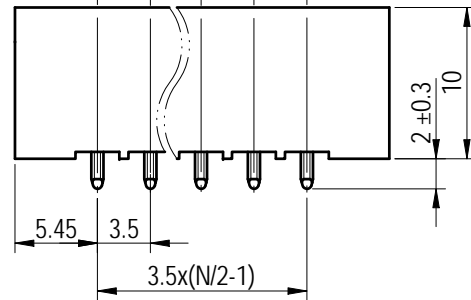
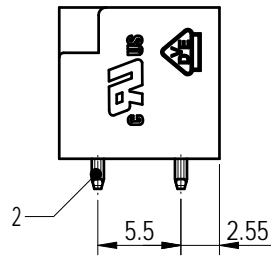
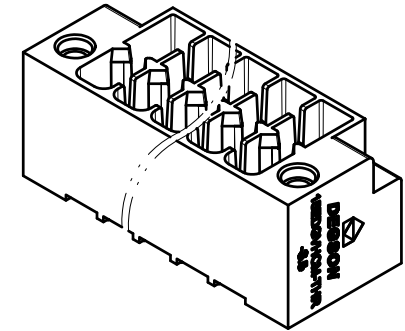
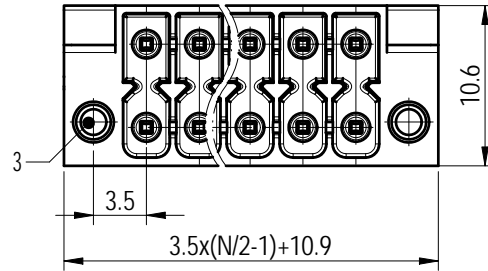


PCB LAYOUT



未注公差/General tolerances (mm)											0.1/10		
0	>3	>6	>10	>18	>30	>50	>80	>120	>180	>250		>315	>400
~3	~6	~10	~18	~30	~50	~80	~120	~180	~250	~315	~400	~500	>500
±0.12	±0.18	±0.22	±0.26	±0.31	±0.37	±0.57	±0.80	±0.93	±1.05	±1.15	±1.60	±2.20	±2.50



ITEM	NAME OF PART	MATERIAL	NOTES
3	Nut	Steel	M2/Zn Plated
2	Pin	Copper	Sn Plated
1	Housing	Thermoplastic	UL94V-0

UL 标准/UL Standard:	B	C	D
额定电压/电流/Rated Voltage(V)/Current(A)	300/8	50/8	300/8
IEC 标准/IEC Standard:			
过压类别/Overvoltage Category/污染等级/Pollution Degree	III/3	III/2	II/2
额定电压/电流/Rated Voltage(V)/Current(A)	200/9.5	200/9.5	400/9.5
额定脉冲电压(KV)/Rate Impulse Voltage(KV)	2.5	2.5	2.5
间距/Pitch(mm)/线数范围/Poles	3.5/N=04~48P		
使用温度范围/Operating temperature(°C)	-30~+120		
符合RoHS环保要求/Conform to RoHS	Yes		

DEGSON

APPD: 兰春华 2023.03.22
 CHKD: 龚耀志 2023.03.22
 DRFT: 周锡锦 2023.03.22

MATERIAL:	SURFACE/COLOR:			
MAT NO./REV: - / 01	MAT STATUS: 批量			
NAME 15EDGVHCM-THR-3.5-XXP-1Y-1000Z(H)-PA				
DRAWING NO. 200066649	TYPE CUSTOMER DRAWING	DRAWING STATUS 已发布	SCALE 2:1	SHEET 1/1

REV	ECN	DESCRIPTION	DRFT	DATE
00			周锡锦	2023.03.22

Transfer or duplication of this document as well as the utilization or communication of its content are prohibited unless authorized in writing. All rights reserved for patent. activity model or design registrations. 除专利注明情况外，其他内容均受法律保护。未经许可，不得复制或传播。本公司保留对涉及发明、实用新型和外观设计的所有权利。