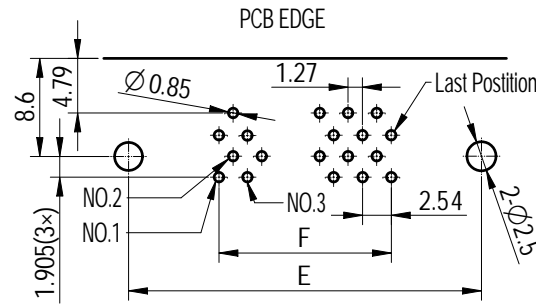
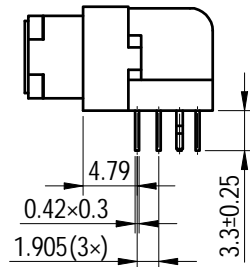
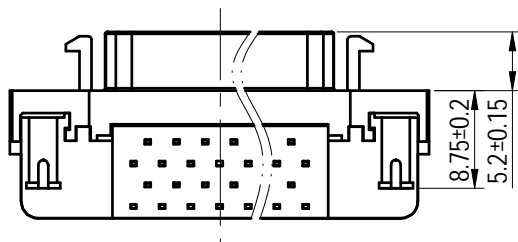
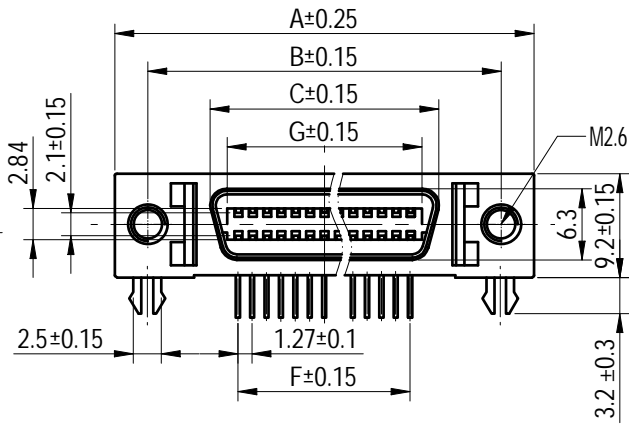
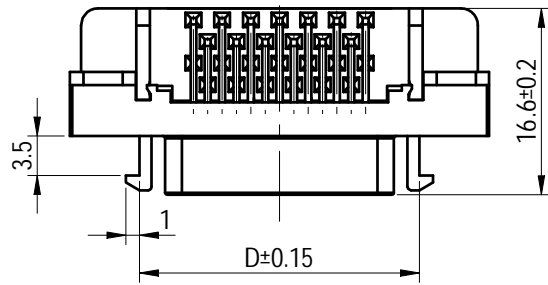
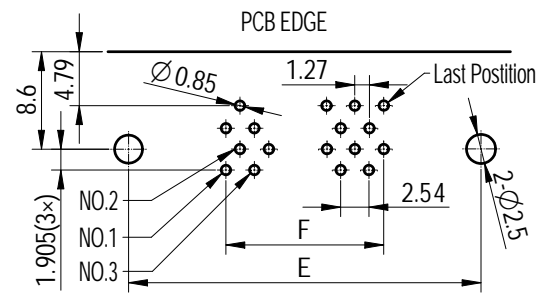


Transfer or duplication of this document as well as the utilization or communication of its contents are prohibited unless explicit authorization is granted. Violations will be liable for compensation. All rights reserved for patent, utility model or design registrations. 除非得到明确授权，否则禁止复制或传播。未经许可擅自复制或传播，公司将保留追究法律责任的权利。



PCB Layout
(14,26,50Pos)



PCB Layout
(20,36,40Pos)

NOTES:

- Electrical characteristics:
 - Contact resistance: 35mΩ Max.
 - Dielectric withstanding voltage: 500V AC(rms) for 1 minute.
 - Insulation resistance: 500MΩ Min.
- Environment characteristics:
 - Temperature range: -55°C~+105°C.
- Materials:
 - Insulator: PBT+Glass fiber
 - Shell: Zinc, Nickel Plated
 - Contact: Copper alloy
- Product number code:

DG1164-01- X X X X X

- X Packing type
- T Tray
- 0 Contact plating
- 0 Selective gold flash
- B Color of housing
- B Black
- F Connector type
- F Female
- No. of contact
- 14,20,26,36,40,50

No. of pin	DIMENSIONS						
	A	B	C	D	E	F	G
14	29.57	23.64	12.63	17.25	23.64	7.62	9.52
20	33.40	27.45	16.44	21.06	27.45	11.43	13.10
26	37.19	31.26	20.25	24.76	31.26	15.24	17.10
36	43.54	37.61	26.60	31.11	37.61	21.59	23.40
40	46.15	40.15	29.14	33.65	40.15	24.13	25.99
50	52.50	46.50	35.49	40.00	46.50	30.48	32.29

GENERAL TOLERANCE			MATERIAL:	SURFACE/COLOR:
X	±0.60		MAT NO./REV:	/ 00
X	±0.38	APPD: 兰春华	2023.08.01	
XX	±0.25	CHKD: 陈招	2023.08.01	
		DRFT: 唐本恒	2023.08.01	
		NAME		
		DG1164-01-XXXXX		
00	REV	ECN	唐本恒	2023.08.01
		DESCRIPTION	DRFT	DATE
				A4
			DRAWING NO.	200035061
			TYPE	CUSTOMER DRAWING
			DRAWING STATUS	已发布
			SCALE	1:1
			SHEET	1/1