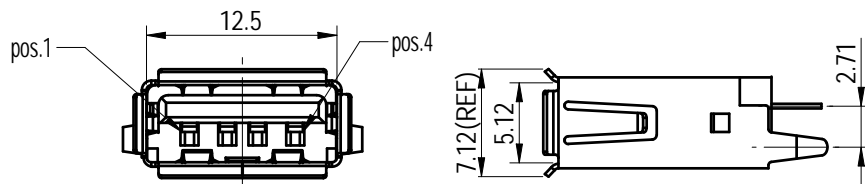
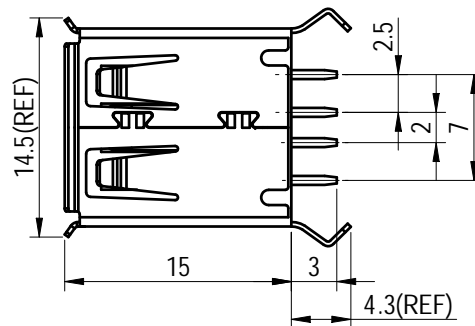


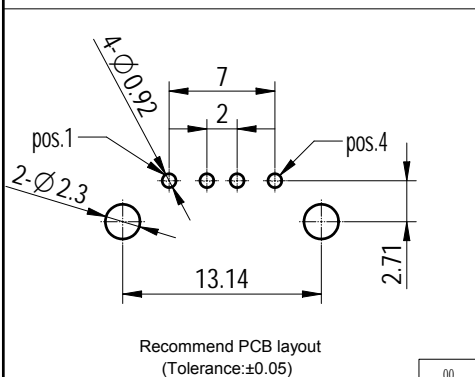
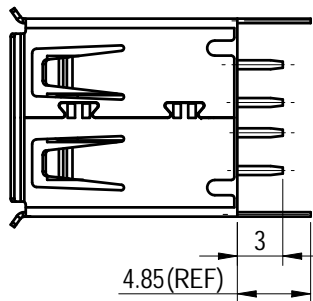
Transfer or duplication of this document as well as the utilization or communication of its contents are prohibited unless explicit authorization is granted. Violations will be liable for compensation. All rights reserved for patent, utility model or design registrations. 除专利与明确授权外, 复制、引用、分发本文件的内容, 或未经明确授权, 否则禁止再出、复制、引用。 违反者将承担赔偿责任。 所有权利保留, 包括专利、实用新型或外观设计在内。



Bend type →



Straight type →



Notes:

Specifications:

1. Contact Resistance: 30mΩ Max.
2. Insulation Resistance: 1000MΩ Min.
3. Dielectric Withstanding Voltage: 750V AC(rms) For 1 Minute.
4. Current Rating:1.5A Max
5. Voltage Rating:30V Max
6. Temperature: -40°C~+85°C.

Materials:

1. Contact Material: Copper Alloy.
2. Shell Material: Copper Alloy or Steel.
3. Insulator Material: Thermoplastic,Black or White.

Mechanical Characteristics:

1. Mating Force:3.57Kgf Maximum.
2. Unmating Force:1.02Kgf Minimum.
3. Durability:1500 Cycles

Product Number Code:

- DS1095-10 - X X X X - X
- Shell material  
Fe: Steel  
N/A Code: Copper alloy
  - Contact plating  
0: Selective gold flash  
03: Selective gold 3u"  
30: Selective gold 30u"
  - Boardlock type  
S: Straight type  
B: Bend type
  - Shell plating  
N: Nickel  
6: Tin
  - Color of housing  
W: White  
B: Black



(Series Image-Reference Only)

00			唐本恒	2023.07.31	DRFT	唐本恒	2023.07.31	DRAWING NO.	TYPE	DRAWING STATUS	SCALE	SHEET
REV	ECN	DESCRIPTION	DRFT	DATE	⑥	④	A4	200035067	CUSTOMER DRAWING	已发布	1:1	1/1

GENERAL TOLERANCE			MATERIAL:	SURFACE/COLOR:
X. ±0.60	X ±0.38		MAT NO./REV:	/ 00
XX ±0.25		APPD: 兰春华	2023.08.01	
		CHKD: 陈招	2023.08.01	
			NAME	
			DG1095-10-XXXX-X	