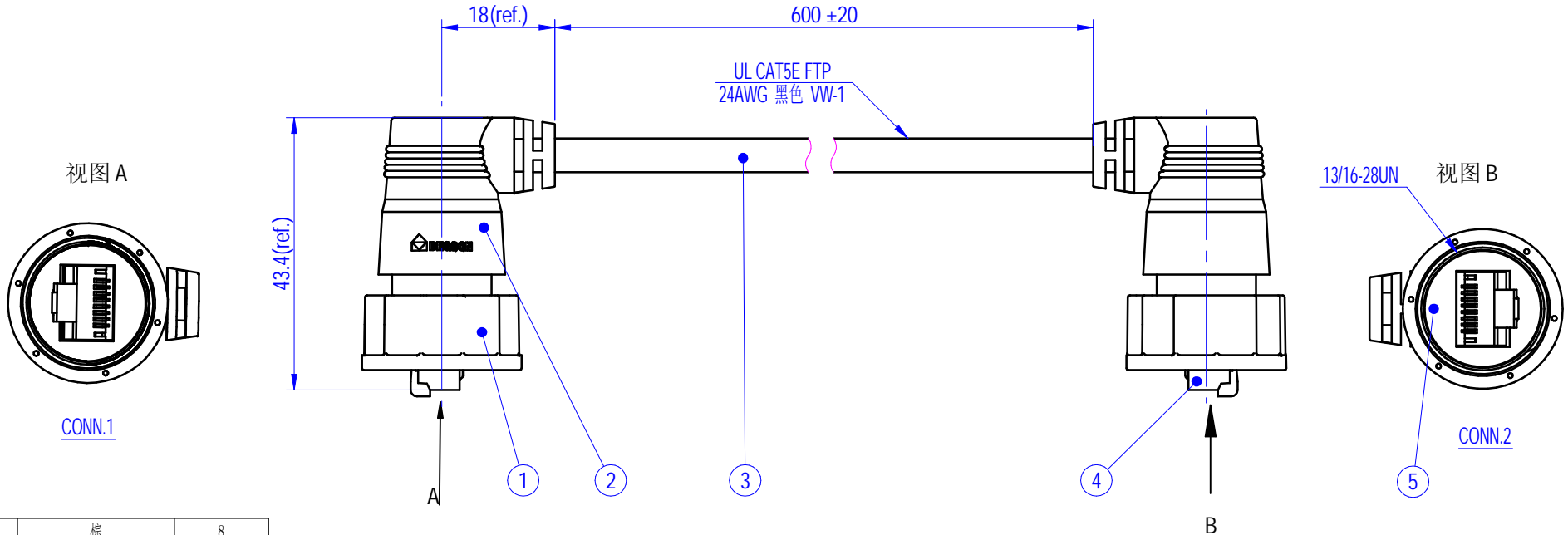


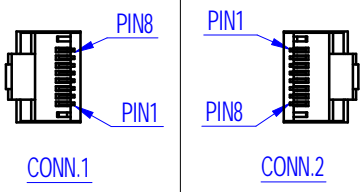
Transfer or duplication of this document as well as the utilization or communication of its contents are prohibited unless authorized in general. Without prejudice to the rights reserved for patent, utility model or design registrations, any kind of reproduction, storage, use, distribution, disclosure, modification, adaptation, reproduction, dissemination, etc. is prohibited.

未注公差/General tolerances (mm)											0.1/10			
0	>3	>6	>10	>18	>30	>50	>80	>120	>180	>250	>315	>400	>500	±2'
~3	~6	~10	~18	~30	~50	~80	~120	~180	~250	~315	~400	~500		
±0.12	±0.18	±0.22	±0.26	±0.31	±0.37	±0.57	±0.80	±0.93	±1.05	±1.15	±1.60	±2.20	±2.50	



8	棕	8
7	棕/白	7
6	绿	6
5	蓝/白	5
4	蓝	4
3	绿/白	3
2	橙	2
1	橙/白	1
CONN. 1	WIRE COLOR	CONN. 2

PIN位定义



NOTES:

1. Rated voltage/current:125V/1.5A
2. Withstanding voltage:500V/1minute.
3. Levels of protection: IP67
4. Operating temperature: -40℃~+85℃
5. RoHS Compliance

ITEM	NAME OF PART	MATERIAL	NOTES
5	GASKET	EPDM	
4	RJ45 PLUG	8P8C	WITH TPE WRAPPED
3	CABLE	UL CAT5E FTP 24AWG BLACK	
2	HUOSING	PA66	WITH TPE WRAPPED
1	NUT	PA66	

		MATERIAL: 材质		SURFACE/COLOR: 表面处理	
		MAT NO./REV: 物料编码 / 版本		MAT STATUS: 物料状态	
APPD: 核准人	核准日期	NAME			
CHKD: 审核人	审核日期	PM-RJ45-2R-7E-600-C1078			
DRFT: 设计人	设计日期	DRAWING NO.	TYPE	DRAWING STATUS	SCALE
		图号	CUSTOMER DRAWING	图纸状态	1:1
				SHEET	1/1

图纸版本	ECN	变更描述	设计人	设计日期
REV	ECN	DESCRIPTION	DRFT	DATE