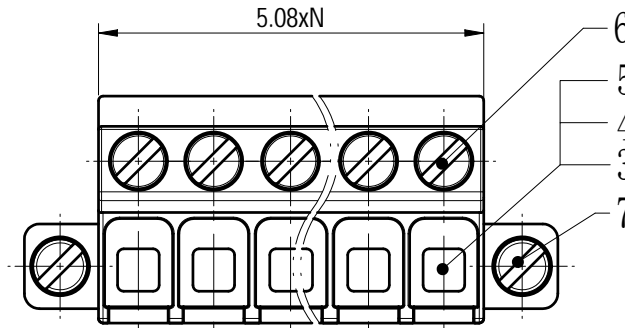
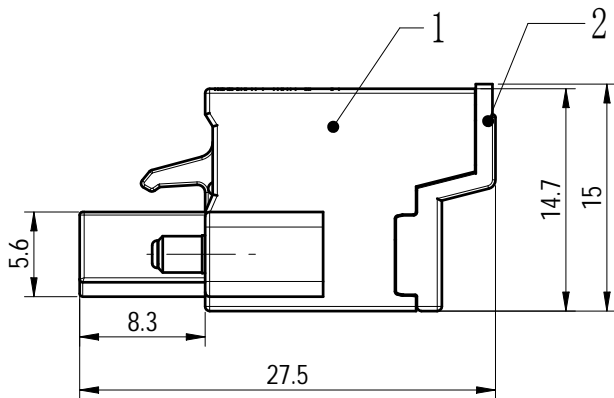
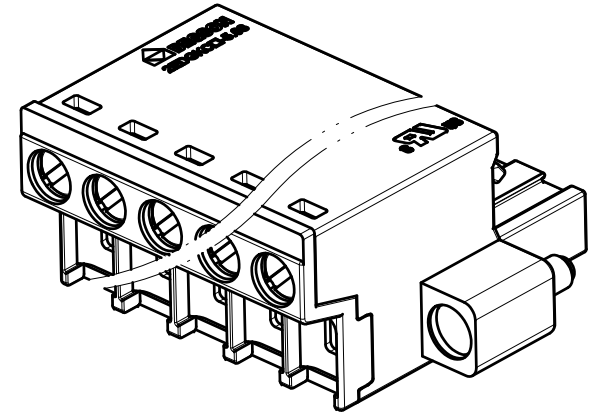
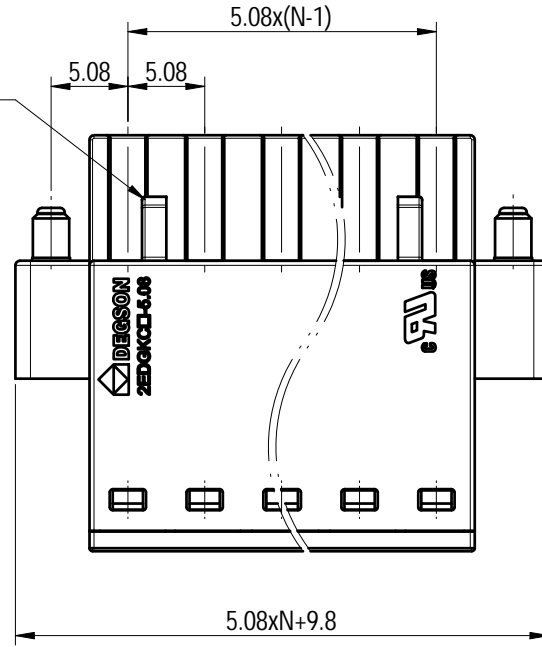


Transfer or duplication of this document as well as the utilization or communication of its contents are prohibited unless authorized in advance by DEGSON. All rights reserved for patent, utility model or design registrations. 除专利、实用新型、外观设计、发明专利、软件著作权、商标、注册、及知识产权等权利外，其他权利均归德松公司所有。

未注公差/General tolerances (mm)													0.1/10 ±2°
0	>3	>6	>10	>18	>30	>50	>80	>120	>180	>250	>315	>400	
~ 3	~ 6	~ 10	~ 18	~ 30	~ 50	~ 80	~ 120	~ 180	~ 250	~ 315	~ 400	~ 500	>500
±0.12	±0.18	±0.22	±0.26	±0.31	±0.37	±0.57	±0.80	±0.93	±1.05	±1.15	±1.60	±2.20	±2.50

02P:Clasp on the left from this view



ITEM	NAME OF PART	MATERIAL	NOTES
7	Screw2	Steel	M2.5/Zn Plated
6	Screw1	Steel	M2.5/Zn Plated
5	Cage	Steel	M2.5/Zn Plated
4	Block	Steel	Zn Plated
3	Clamp	Copper alloy	Sn Plated
2	Cover	PA66	UL94V-0
1	Housing	PA66	UL94V-0

UL 标准/UL Standard:	B	F	D
额定电压/电流/Rated Voltage(V)/Current(A)	300/15	600/15	300/10
IEC 标准/IEC Standard:			
过压类别/Ovenvoltage Category/污染等级/Pollution Degree	III/3	III/2	II/2
额定电压/电流/Rated Voltage(V)/Current(A)	400/12	800/12	1000/12
额定脉冲电压(KV)/Rate Impulse Voltage(KV)	6	6	6
螺丝扭矩/Torque Tightening(N·m/Lb.in)	M2.5: 0.5/4.43		
线径范围(硬线和软线)/Wire Range(rigid and flexible)(AWG/mm²)	28~12 / 0.2~2.5		
间距/Pitch(mm)/线数范围/Poles	5.08/N=02~24P		
剥线长度/Stripping length(mm)	9~10		
使用温度范围/Operating temperature(°C)	-40~+105		
符合RoHS环保要求/Conform to RoHS	Yes		

		MATERIAL:	SURFACE/COLOR: /		
		MAT NO./REV:	/ 00 MAT STATUS: 样品		
APPD: 兰春华	2023.05.30	NAME			
CHKD: /	/	2EDGKCM-5.08-HP-XXP-1Y-00Z(H)			
DRFT: 龚耀志	2023.05.30	DRAWING NO.	TYPE	DRAWING STATUS	SCALE
④	④	200021320	CUSTOMER DRAWING	已发布	2:1
A4		(inch)		SHEET	1/1

REV	ECN	DESCRIPTION	DRFT	DATE
00			龚耀志	2023.05.30