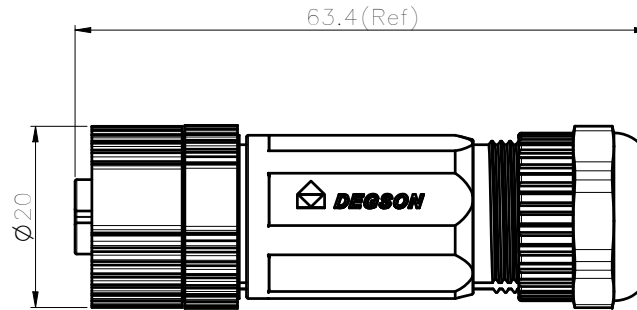
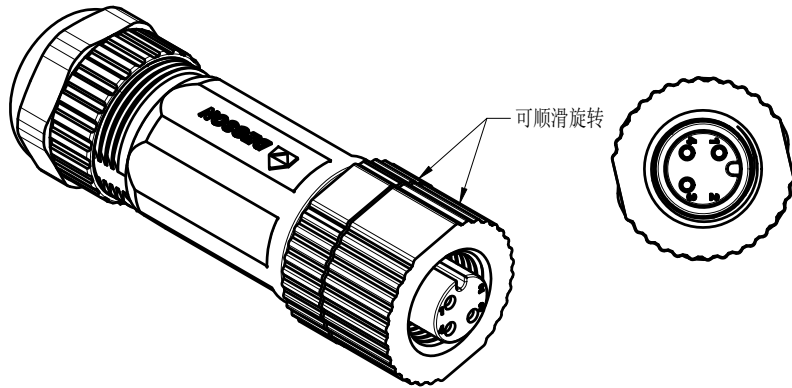
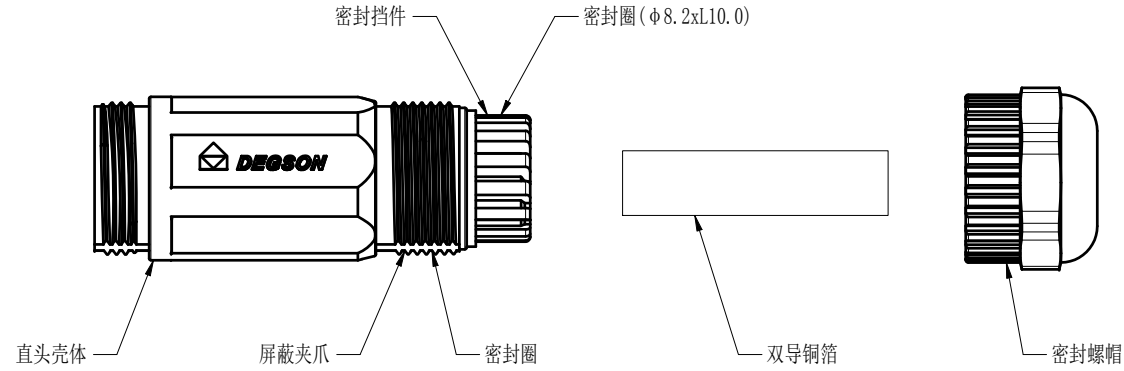
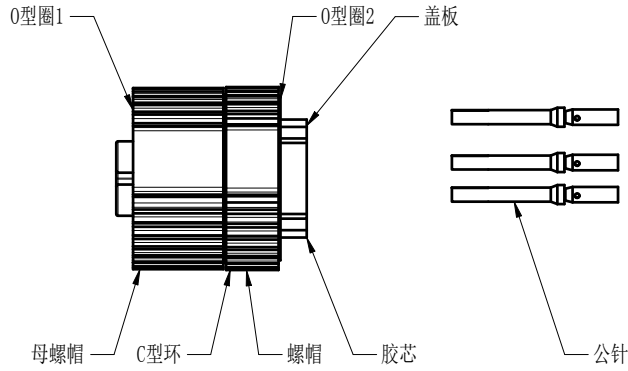


尺寸公差(mm)					0.05/10
0 ~ 30	>30 ~ 60	> 60 ~ 100	> 100 ~ 150	> 150	
±0.20	±0.30	±0.50	±0.70	±1.00	±1°



技术要求/Technical requirements:	
额定电压电流/Rated Voltage/Current	250V AC/4A
绝缘电阻/Insulate Resistance	>100MΩ
耐压/Withstanding Voltage	1500V AC 1min
防护等级/Ingress Protection	IP67
插拔寿命/Insertion/Pullout Times	100 Cycles
插拔力/Insertion/Pullout Force	<30N
使用温度范围/Operating temperature(°C)	-25°+105
重点管控符号/Key controlled symbol	*
包装规范/Packaging specification	SOP-Y-3383
接线方式/Terminal	Crimping
螺丝扭矩/Tightening torque(N·m/Lb.in)	M12x1.0, 3~4kgf.cm
	M17x1.0, 4~6kgf.cm
线径范围/Wire range(AWG/mm²)	24~20/0.25~0.5



Pin Assignments  
Front View

00					
REV	ECN	DESCRIPTION	DRFT	DATE	

		MATERIAL:	SURFACE/COLOR:		
APPD:		MAT NO./REV: 20030002372-1 / 01	MAT STATUS: 小批量		
CHKD:		NAME			
DRFT:		PCSH-M12A-03P-FF-SL7002-00A (H)			
	A4	DRAWING NO. 200108830	TYPE CUSTOMER DRAWING	DRAWING STATUS work	SHEET 1/1

Transfer or duplication of this document as well as the utilization or communication of its contents are prohibited unless authorized in writing by Degson. All rights reserved for patent. activity model or design registrations. 除专利等明确标注外，其他标注均非 Degson 独有。未经授权，禁止复制或传播。 Degson 保留所有权利。