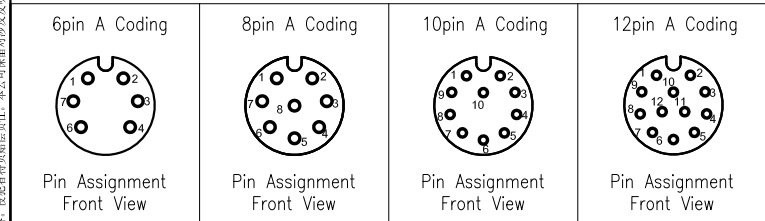
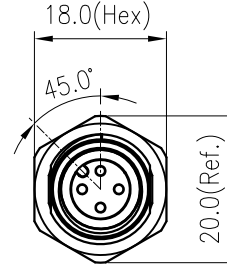
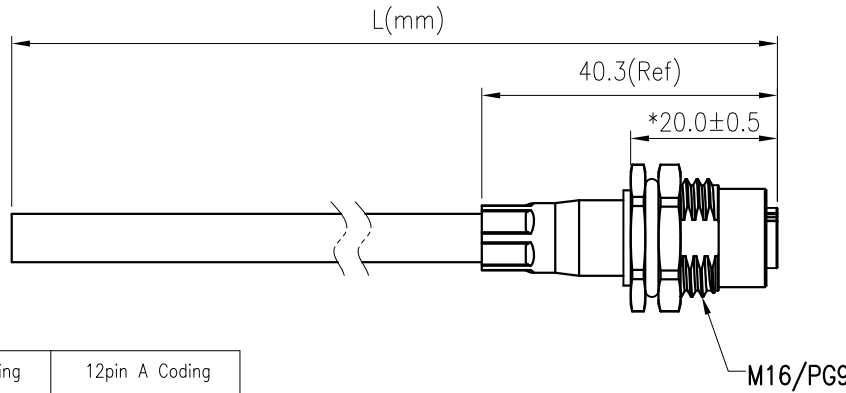


Dimensional tolerance(mm)					Length tolerance(mm)				0.10/10 ±2°
0	>30	>60	>100	>150	0	5000	10000	>30000	
~30	~60	~100	~150		~5000	~10000	~30000		
±0.25	±0.35	±0.55	±0.80	±1.10	±55	±105	±205	±505	



6pin A Coding		8pin A Coding		10pin A Coding		12pin A Coding	
Shield	Braid	Shield	Braid	Shield	Braid	Shield	Braid
7	Pink	8	Red	10	Violet	11	Grey/Pink
6	Grey	7	Blue	9	Red	10	Violet
4	Black	6	Yellow	8	Grey	9	Red
3	Blue	5	Gray	7	Black	8	Grey
2	White	4	Yellow	6	Black	7	Black
1	Brown	3	Green	5	Yellow	6	Yellow
Conn.	Wire Color	Conn.	Wire Color	Conn.	Wire Color	Conn.	Wire Color

3pin A Coding		4pin A Coding		5pin A Coding		5pin B Coding		4pin D Coding	
Shield	Braid	Shield	Braid	Shield	Braid	Shield	Braid	Shield	Braid
4	Black	3	Blue	3	Blue	3	Blue	3	Blue
3	Blue	2	White	2	White	2	White	2	White
1	Brown	1	Brown	1	Brown	1	Brown	1	Brown
Conn.	Wire Color	Conn.	Wire Color	Conn.	Wire Color	Conn.	Wire Color	Conn.	Wire Color

- Note:
- Rated voltage/current:
    - 3,4pin A-CODE: 250V/4A
    - 5pin A-CODE: 250V/4A
    - 6,8pin A-CODE: 30V/2A
    - 10,12pin A-CODE: 30V/1.5A
    - 5pin B-CODE: 60V/4A
    - 4pin D-CODE: 250V/4A
  - Levels of protection: IP68(Mated)(1M/24H)
  - Cable specifications:
    - 03pin A-CODE: 3C\*22AWG,Shield
    - 04pin A-CODE: 4C\*22AWG,Shield
    - 05pin A-CODE: 5C\*22AWG,Shield
    - 06pin A-CODE: 6C\*24AWG,Shield
    - 08pin A-CODE: 8C\*24AWG,Shield
    - 10pin A-CODE: 10C\*26AWG,Shield
    - 12pin A-CODE: 12C\*26AWG,Shield
    - 05pin B-CODE: 5C\*22AWG,Shield
    - 04pin D-CODE: 4C\*22AWG,Shield
  - Operating temperature: -40°C~+80°C
  - RoHS compliance

SESH-M12X-XXP-FF-SX8XXX-00A(H)

Coding:A,B,D

Pin number:03,04,05  
06,08,10,12

Cable length L:  
01:1M  
02:2M  
...  
99:99M

Cable jacket:  
A:PVC UL2517  
B:PUR UL20549

M:M16\*1.5  
P:PG9

MATERIAL: /	SURFACE: /	
MAT NO.:	宁波高松电子有限公司	
STATUS: /	NINGBO DEGSON ELECTRICAL CO., LTD	
APPD:	NAME: SESH-M12X-XXP-FF-SX8XXX-00A(H)	
CHKD:	DRAWING NO.:	
DRAFT: Yuan ZH 2021.11.23	REV: 00	00
SIZE: A3	TYPE: CUSTOMER DRAWING	SCALE: 1:1 SHEET 1/2

REV	ECN	DESCRIPTION	DRFT	DATE	SIZE	TYPE	SCALE	SHEET
					A3	CUSTOMER DRAWING	1:1	1/2

Transfer or duplication of this document or communication of its contents are prohibited unless explicit authorization is granted. Violations will be liable for compensation. All rights reserved for patent, utility model, or designs registrations. 除非給予明確授權，否則禁止對此文件之內容、說明、圖形、表格之複製、翻印、仿製、或將本文件之內容、說明、圖形、表格對外進行任何權利之轉讓。