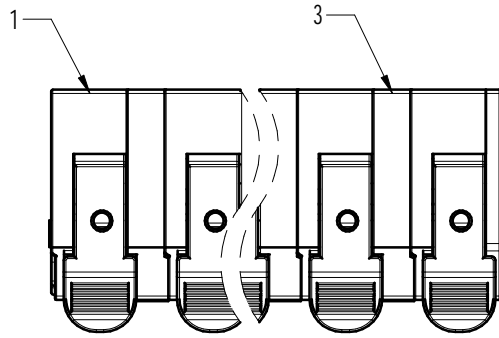
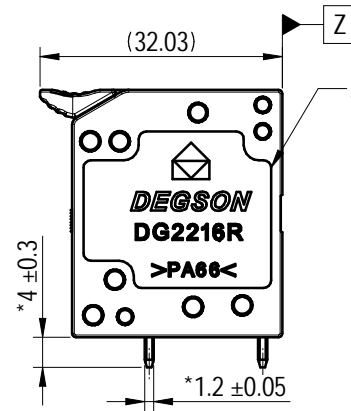
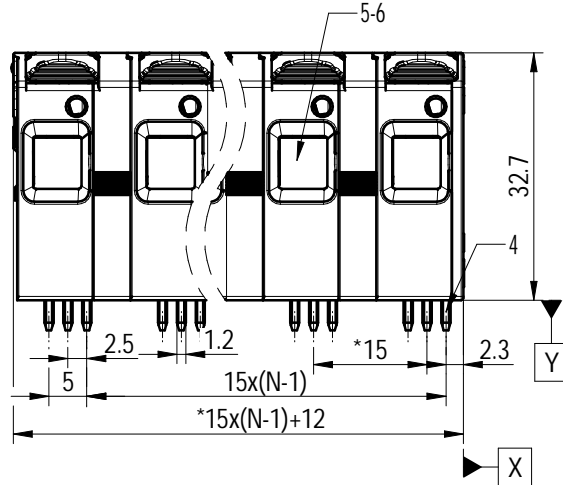
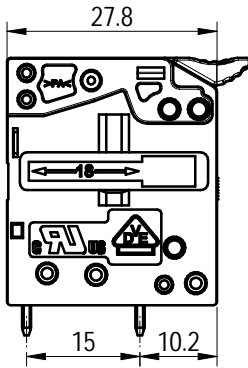
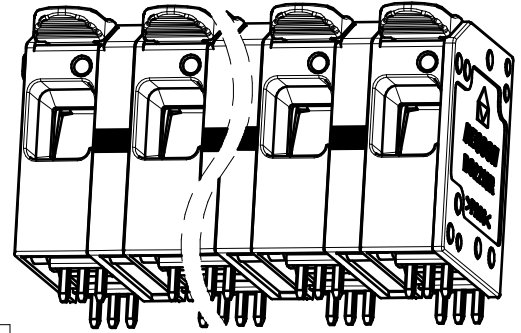


未注公差/General tolerances (mm)													0.1/10
0	>3	>6	>10	>18	>30	>50	>80	>120	>180	>250	>315	>400	
~3	~6	~10	~18	~30	~50	~80	~120	~180	~250	~315	~400	~500	>500
±0.12	±0.18	±0.22	±0.26	±0.31	±0.37	±0.57	±0.80	±0.93	±1.05	±1.15	±1.60	±2.20	±2.50



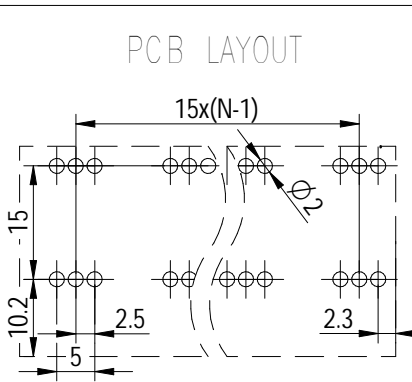
未标注尺寸请参考3D文件



Note:  
The A&Z(H) in the name means:A(H) and Z(H)

ITEM	NAME OF PART	MATERIAL	NOTES
7	Lever	Nylon	UL94V-0
6	Slider	Stainless steel	/
5	Spring	Stainless steel	/
4	Pin header	Copper	Sn Plated
3	Clapboard	Nylon	UL94V-0
2	Cover	Nylon	UL94V-0
1	Housing	Nylon	UL94V-0

UL 标准/UL Standard:	B	C	D
额定电压/电流/Rated Voltage(V)/Current(A)	300/66	300/66	300/10
IEC 标准/IEC Standard:			
过压类别/Overvoltage Category/污染等级/Pollution Degree	III/3	III/2	II/2
额定电压/电流/Rated Voltage(V)/Current(A)	600/76	600/76	600/76
额定脉冲电压(KV)/Rate Impulse Voltage(KV)	6	6	6
线径范围(硬线和软线)/Wire Range(rigid and flexible)(AWG)	0.2~16(25mm²Sol)/18-4AWG		
间距/Pitch(mm)/线数范围/Poles	15.0/N=02~12P		
剥线长度/Stripping length(mm)	18~20		
使用温度范围/Operating temperature(°C)	-40~+105		
符合RoHS环保要求/Conform to RoHS	Yes		



**DEGSON**

APPD: David 2022.12.06  
 CHKD: David 2022.12.06  
 DRFT: 曹心一 2022.12.05

MATERIAL: SURFACE/COLOR:  
 MAT NO./REV: / 00.01 MAT STATUS: 批量

NAME: DG2216R-15.0-XXP-1Y-00Z&Z(H)

DRAWING NO. 200077990 TYPE CUSTOMER DRAWING DRAWING STATUS 已发布 SCALE 1:1 SHEET 1/1

REV	ECN	DESCRIPTION	DRFT	DATE
01		增加VDE认证标志	曹心一	2022.12.05

Transfer or duplication of this document as well as the utilization or communication of its contents are prohibited unless authorized in writing by Degson. All rights reserved for patent. 未经授权复制或传播本文件内容，或在本文件内容基础上进行复制或传播，或在本文件内容基础上进行任何形式的使用，均属于侵权行为。本公司保留对本文件的所有权利。