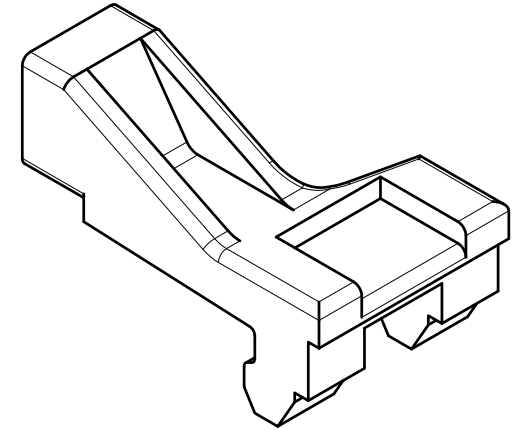
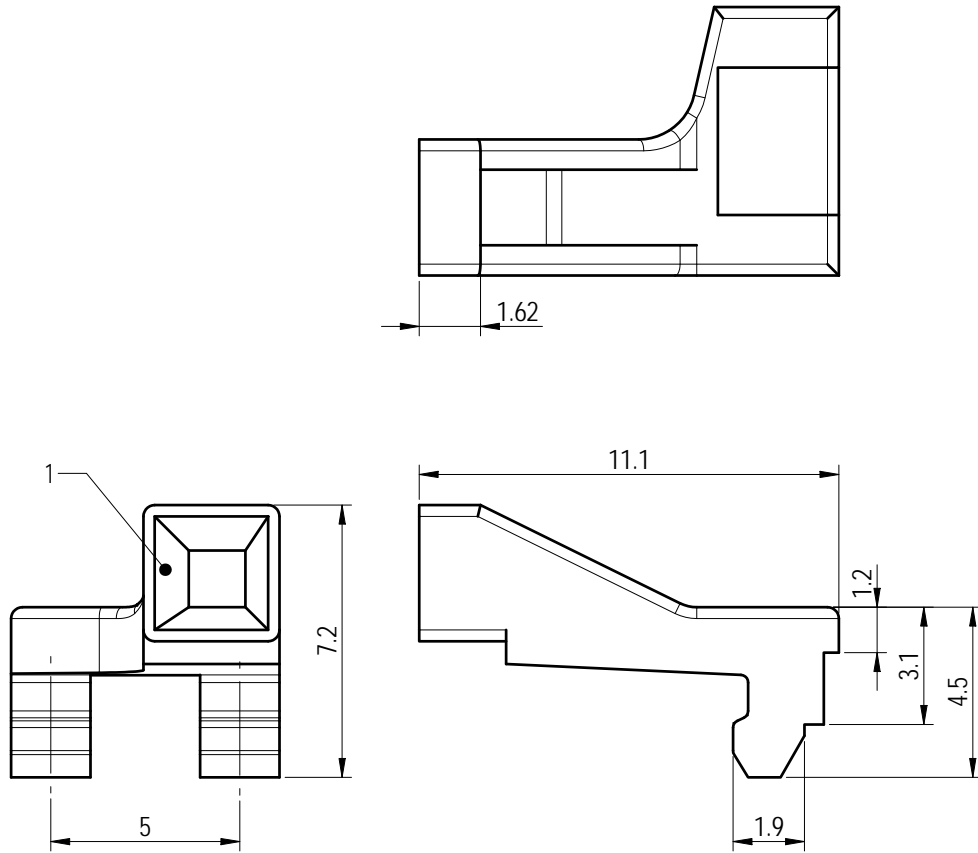


未注公差/General tolerances (mm)													0.1/10	
0 ~ 3	>3 ~ 6	>6 ~ 10	>10 ~ 18	>18 ~ 30	>30 ~ 50	>50 ~ 80	>80 ~ 120	>120 ~ 180	>180 ~ 250	>250 ~ 315	>315 ~ 400	>400 ~ 500		>500
±0.12	±0.18	±0.22	±0.26	±0.31	±0.37	±0.57	±0.80	±0.93	±1.05	±1.15	±1.60	±2.20	±2.50	±2'

Transfer or duplication of this document as well as the utilization or communication of its contents are prohibited unless authorized in writing. All rights reserved for patent, utility model or design registrations. 除专利等明确标注外，其他标注均按此公差。 未经本公司书面许可，不得复制或传播。 保留所有权利及专利等注册权利。



Note:
The A&Z (H) in the name means: A(H) and Z(H).

ITEM	NAME OF PART	MATERIAL	NOTES
1	Housing	PA66	UL94V-0

使用温度范围/Operating temperature(°C)	-40~+105
符合RoHS环保要求/Conform to RoHS	Yes

DEGSON		MATERIAL:	SURFACE/COLOR:
APPD: 兰春华	2023.03.02	MAT NO./REV: / 00	MAT STATUS: 批量
CHKD: 陈招	2023.02.27	NAME	
DRFT: 龚徐涛	2023.02.27	DG014-01P-1Y-01A&Z(H)	
REV	ECN	DRAWING NO.	TYPE
		200048354	CUSTOMER DRAWING
		DRAWING STATUS	SCALE
		已发布	5:1
		SHEET	1/1

00			龚徐涛	2023.02.27
REV	ECN	DESCRIPTION	DRFT	DATE