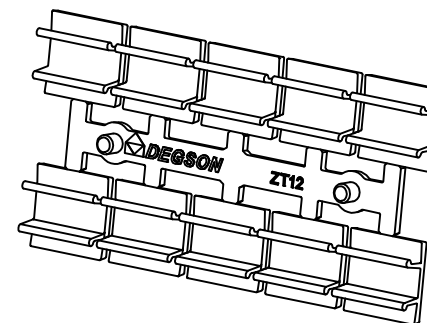
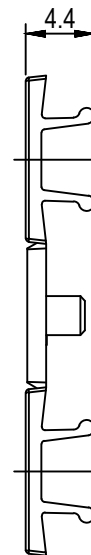
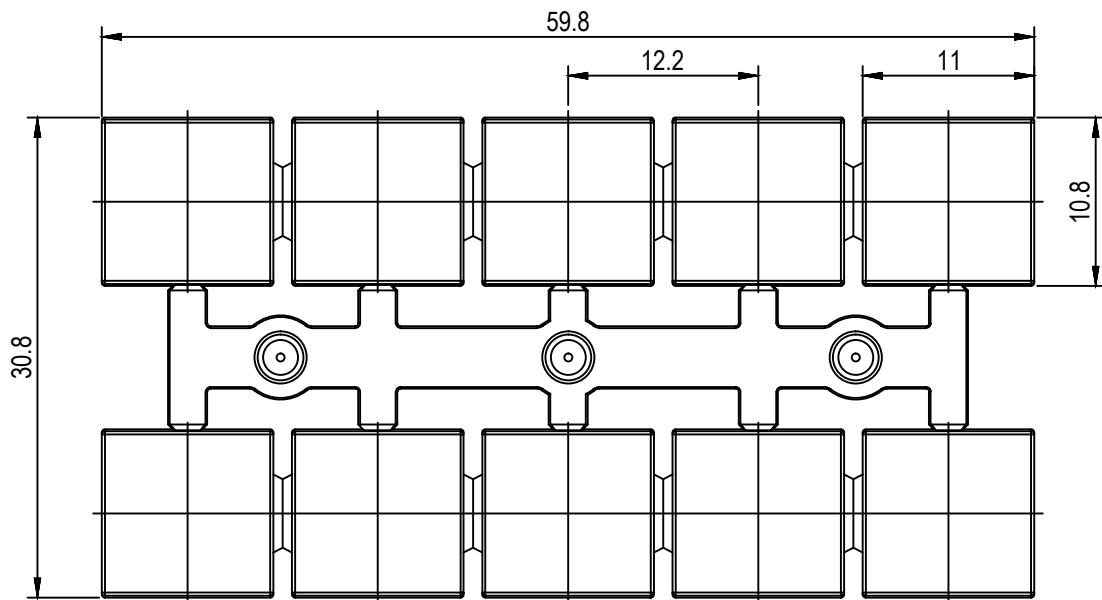


未注公差/General tolerances(mm)														0.1/10
0	>3	>6	>10	>18	>30	>50	>80	>120	>180	>250	>315	>400	>500	
~3	~6	~10	~18	~30	~50	~80	~120	~180	~250	~315	~400	~500	~500	
±0.12	±0.18	±0.22	±0.26	±0.31	±0.37	±0.57	±0.80	±0.93	±1.05	±1.15	±1.60	±2.20	±2.50	

Transfer or duplication of this document as well as the utilization or communication of its contents are prohibited unless explicit authorization is granted. Violations will be liable for compensation. All rights reserved for patent, utility model or designs registrations. 除经授予专利权、外观设计、实用新型等知识产权外，本公司保留对涉及发明、实用新型等知识产权的所有权利。



间距/Pitch(mm)/线数范围/Poles	12.2/10P
使用温度范围/Operating temperature(°C)	-40~+110
符合RoHS 环保要求/Conform to RoHS	Yes

		MATERIAL:PC	SURFACE/COLOR: /	
APPD: Peng M 2022.06.09		MAT NO./REV: /	MAT STATUS: /	
CHKD: Gao WG 2022.06.09		NAME ZT12-10P-1Y-00A(H)		
DRFT: Chen KZ 2022.06.09		DRAWING NO. /	TYPE CUSTOMER DRAWING	DRAWING STATUS /
00	/	/	Chen KZ	2022.06.09
REV	ECN	DESCRIPTION	DRFT	DATE

00	/	/	Chen KZ	2022.06.09	DRFT: Chen KZ	2022.06.09	DRAWING NO. /	TYPE CUSTOMER DRAWING	DRAWING STATUS /	SCALE 2:1	SHEET 1/1
REV	ECN	DESCRIPTION	DRFT	DATE		A4					