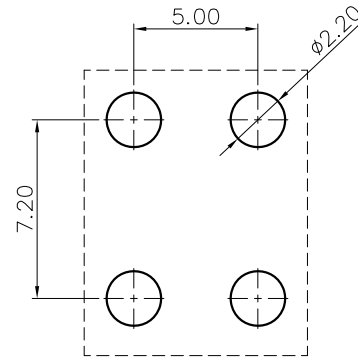
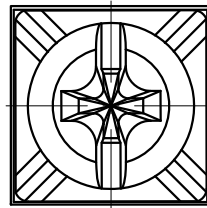
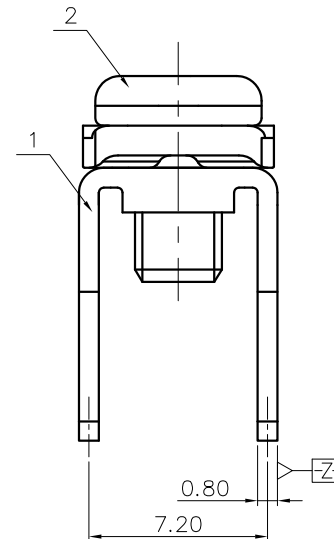
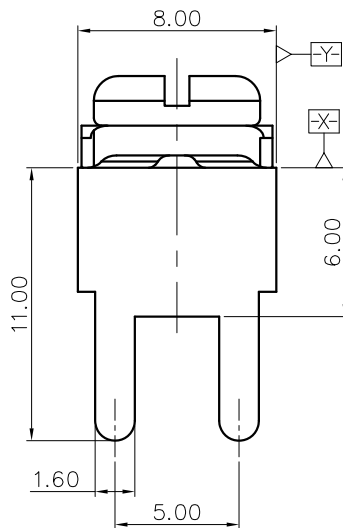


REVISION RECORD

REV	ECN	DESCRIPTION	DRFT	DATE
-----	-----	-------------	------	------



PCB LAYOUT



NOTES:

1. Rated current : 15A
2. Torque value : M3.5 , 7.02Lb.in
3. Dimension shall be interpreted per ASME Y14.5-2009
4. Undimensioned tolerances:

Pitch range in mm		Nominal dimension range in mm					-	∩	∇
To	Over	To	Over	To	Over	To	Over	To	
6	10	6	10	30	60	100	150	0.1/10	
±0.15	±0.20	±0.30	±0.30	±0.50	±0.70	±1.00	±1.30	±2'	

5. RoHS Compliance

ITEM	NAME OF PART	MATERIAL	NOTES
2	Screw	Steel	Ni Plated
1	Pin header	Copper alloy	Sn Plated

DETACHED LISTS	PART NO.:	/		
	APPD:	NAME:		
	CHKD:	NINGBO DEGSON ELECTRICAL CO., LTD		
	DRFT: Yz 01/19/16"	TITLE: CUSTOMER DRAWING		REV T0-1
	DRAWING NO.:	K14-C02	SHEET	1/1
	THIRD ANGLE PROJECTION	MM (INCH)	DO NOT SCALE DRAWING	SCALE 1:1