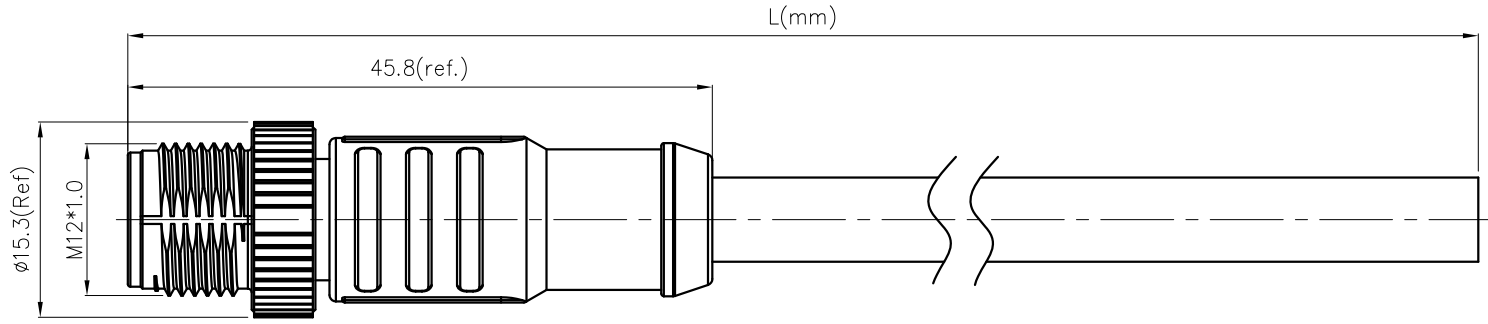
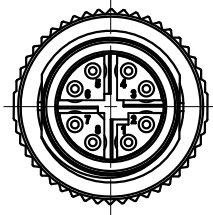


REVISION RECORD

REV	ECN	DESCRIPTION	DRFT	DATE
-----	-----	-------------	------	------



PMSH-M12X-08P-MM-SL7XXX-00A(H)

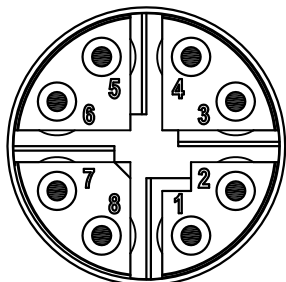
Cable jacket:  
X:LSZH  
A:PVC  
B:PUR

Cable length L:  
01:1M  
...

99:99M  
The line grows business trip:  
01~05m: ± 50mm  
06~10m: ± 100mm  
11~30m: ± 200mm  
31~99m: ± 500mm

NOTES:

- 1.Rated voltage/current : 50Vac/60Vdc; 0.5A
- 2.Withstanding voltage : AC1120V/1Min
- 3.Levels of protection:IP67
- 4.Cable range :S/FTP 4P\*26AWG,CAT 6A,Shield
- 5.Wire connection mode:soldering
- 6.Operating temperature: -25°C~+75°C
- 8.RoHS Compliance
- 9.Tolerance : ±0.5mm



Pin Assignments  
Front View

Shield	Braid	
8	Blue	Twist
7	White/Blue	
6	Brown	Twist
5	White/Brown	
4	Green	Twist
3	White/Green	
2	Orange	Twist
1	White/Orange	
Conn.	Wire Color	
Pin Out		

DETACHED LISTS	PART NO.: PMSHM12X08PMMSL7XXX00AH		宁波高松电子有限公司 NINGBO DEGSON ELECTRICAL CO., LTD	
	APPD:	NAME: PMSH-M12X-08P-MM-SL7XXX-00A(H)		
	CHKD:	TITLE: CUSTOMER DRAWING		
	DRFT: SQ 2019.05.21	REV	D0-1	
 THIRD ANGLE PROJECTION		DRAWING NO.: XXXXXXX-XX-EXX	SHEET	1/1
		 MM (INCH)	DO NOT SCALE DRAWING	SCALE 1:1