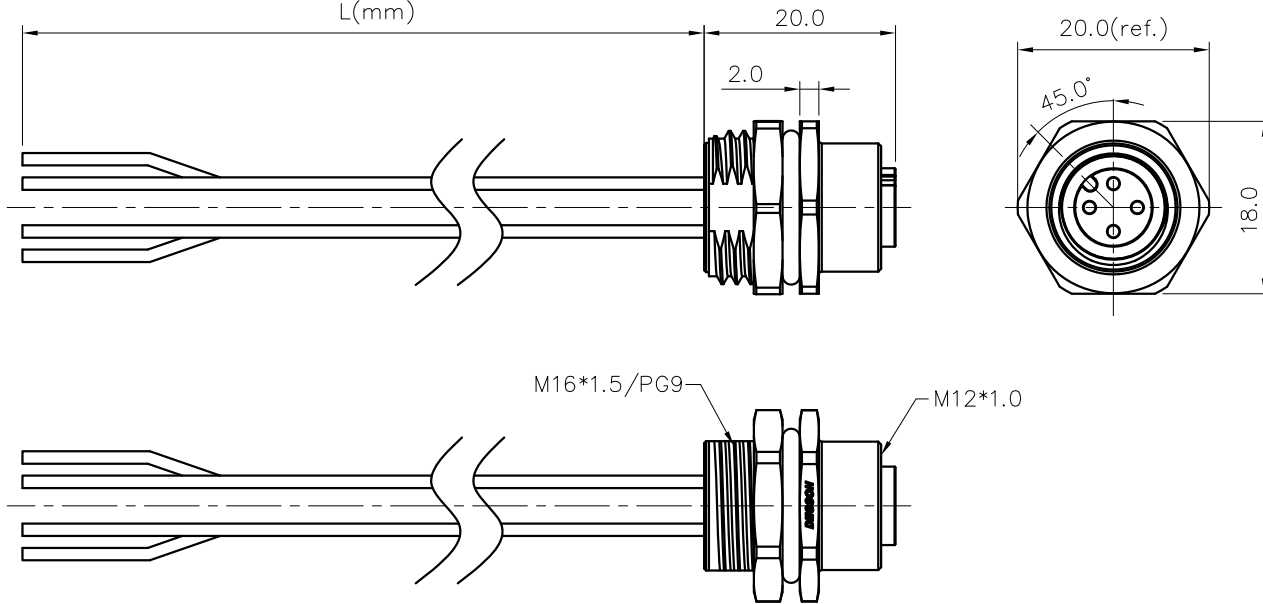


REVISION RECORD

REV	ECN	DESCRIPTION	DRFT	DATE
-----	-----	-------------	------	------



3pin A Coding	4pin A Coding	5pin A Coding	6pin A Coding	8pin A Coding
Pin Assignments Front View	Pin Assignments Front View	Pin Assignments Front View	Pin Assignments Front View	Pin Assignments Front View
				8 Red
			7 Blue	7 Blue
			6 Pink	6 Pink
		5 Grey		5 Grey
4 Black	4 Black	4 Black	4 Yellow	4 Yellow
3 Blue	3 Blue	3 Blue	3 Green	3 Green
1 Brown	2 White	2 White	2 Brown	2 Brown
1 Brown	1 Brown	1 Brown	1 White	1 White
Pin Wire Color	Pin Wire Color	Pin Wire Color	Pin Wire Color	Pin Wire Color
Pin Out	Pin Out	Pin Out	Pin Out	Pin Out

SD-M12X-XXP-FF-SH8XXX-00A(H)

Coding: A,B,D

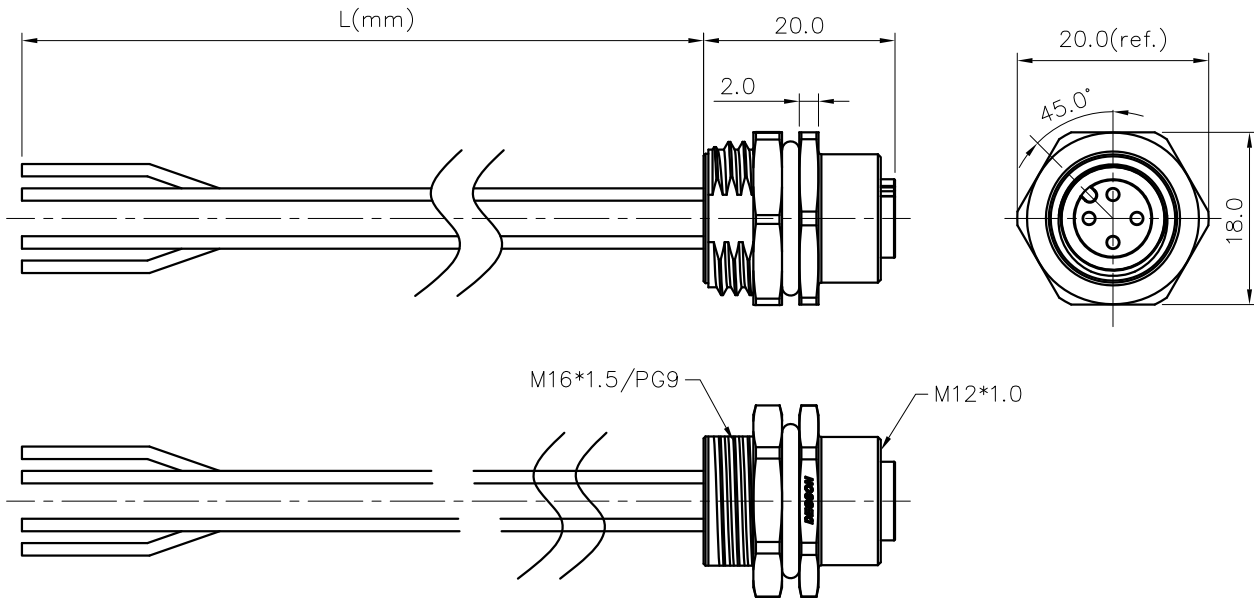
Pin number: 03,04,05, 06,08,10,12

Thread specification: A: PG9; B: M16\*1.5

XX: 150~1500mm  
 15: 150±15mm  
 30: 300±20mm  
 50: 500±20mm  
 A0: 1000±40mm  
 A5: 1500±40mm  
 Wire Length L: 150~1500mm

DETACHED LISTS	PART NO.: SDM12XXXPFSSH8XXX00AH		宁波高松电子有限公司 NINGBO DEGSON ELECTRICAL CO., LTD	
	APPD:	NAME: SD-M12X-XXP-FF-SH8XXX-00A(H)		
	CHKD:	TITLE: CUSTOMER DRAWING		
	DRFT: SQ 2019.05.17	REV	D0-1	
	THIRD ANGLE PROJECTION	DRAWING NO.: XXXXXXXX-XX-CXX	SHEET	1/2
	MM (INCH)	DO NOT SCALE DRAWING	SCALE 1:1	

REVISION RECORD				
REV	ECN	DESCRIPTION	DRFT	DATE

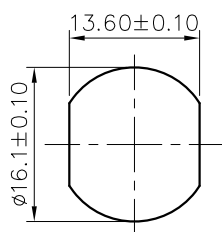


NOTES:

- Rated voltage/current : 3pin A: 250V / 4A  
4pin A: 250V / 4A  
5pin A: 60V / 4A  
6pin A: 30V / 2A  
8pin A: 30V / 2A  
10pin A: 30V / 1.5A  
12pin A: 30V / 1.5A  
5pin B: 60V / 4A  
4pin D: 250V / 4A
- Withstanding voltage : 3,4pin: AC1500V/1Min  
5pin: AC1120V/1Min  
6,8pin: AC500V/1Min  
10,12pin: AC500V/1Min  
5pin B: AC1120V/1Min  
4pin D: AC1500V/1Min
- Levels of protection: IP68
- Wire specifications :  
3pin A: 22AWG/0.34mm<sup>2</sup>,UL1061  
4pin A: 22AWG/0.34mm<sup>2</sup>,UL1061  
5pin A: 22AWG/0.34mm<sup>2</sup>,UL1061  
6pin A: 24AWG/0.25mm<sup>2</sup>,UL1061  
8pin A: 24AWG/0.25mm<sup>2</sup>,UL1061  
10pin A: 26AWG/0.14mm<sup>2</sup>,UL1061  
12pin A: 26AWG/0.14mm<sup>2</sup>,UL1061  
5pin B: 22AWG/0.34mm<sup>2</sup>,UL1061  
4pin D: 22AWG/0.34mm<sup>2</sup>,UL1061

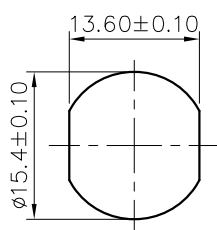
10pin A Coding		12pin A Coding		5pin B Coding		4pin D Coding	
Pin Assignments Front View		Pin Assignments Front View		Pin Assignments Front View		Pin Assignments Front View	
		12	Red/Blue				
		11	Grey/Pink				
10	Violet	10	Violet				
9	Red	9	Red				
8	Grey	8	Grey				
7	Black	7	Black				
6	Yellow	6	Yellow				
5	Pink	5	Pink	5	Grey		
4	Green	4	Green	4	Black	4	Black
3	White	3	White	3	Blue	3	Blue
2	Blue	2	Blue	2	White	2	White
1	Brown	1	Brown	1	Brown	1	Brown
Pin	Wire Color	Pin	Wire Color	Pin	Wire Color	Pin	Wire Color
Pin Out		Pin Out		Pin Out		Pin Out	

Thread specification:  
M16\*1.5



Panel Mounted

Thread specification:  
PG9



Panel Mounted

- Wire connection mode: soldering
- Operating temperature: -25°C~+80°C
- For Panel Thickness Max: 4.5mm
- RoHS Compliance
- Tolerance :

.X	±0.25mm
.XX	±0.1mm
∠	±1°

DETACHED LISTS	PART NO.: SDM12XXXPFSSH8XXX00AH	宁波高松电子有限公司 NINGBO DEGSON ELECTRICAL CO., LTD		
	APPD:	NAME: SD-M12X-XXP-FF-SH8XXX-00A(H)		
	CHKD:	TITLE: CUSTOMER DRAWING		
	DRFT: SQ 2019.05.17	REV	D0-1	
		DRAWING NO.: XXXXXXX-XX-CXX	SHEET	2/2
	MM (INCH)	DO NOT SCALE DRAWING	SCALE 1:1	