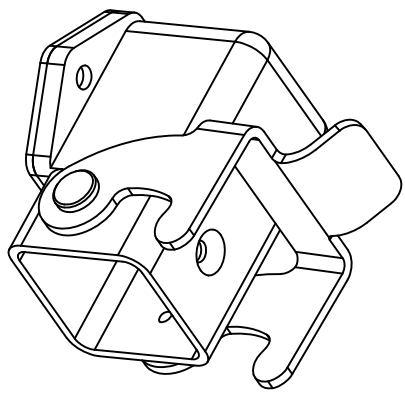
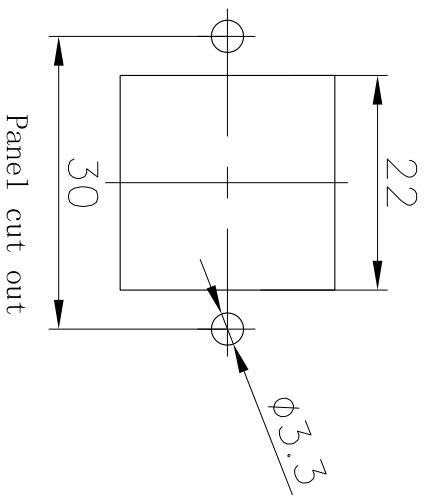
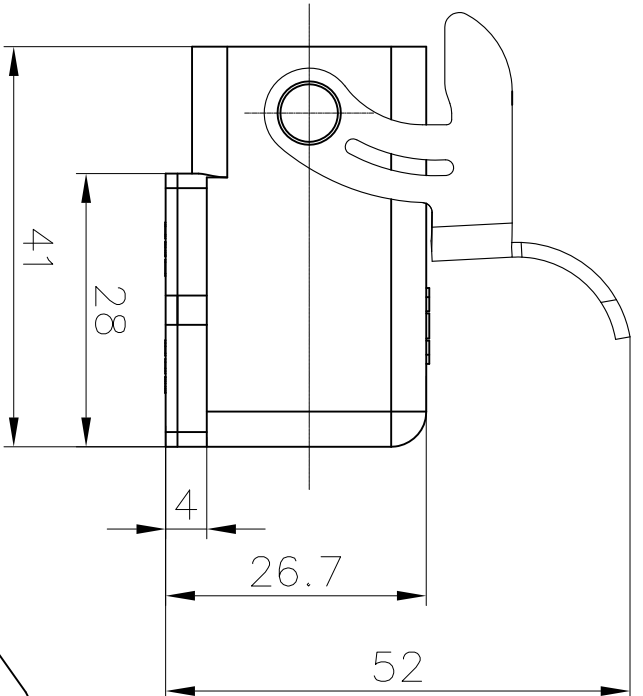
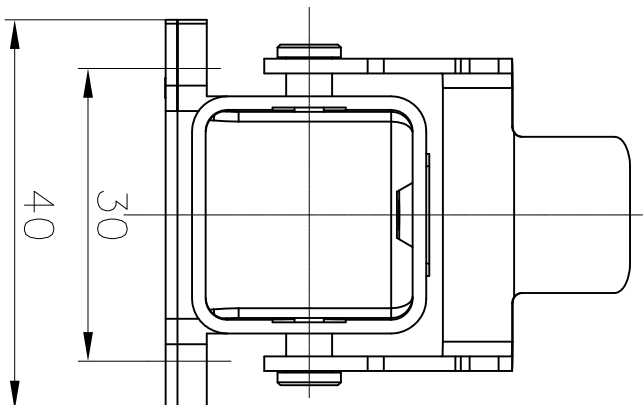


REVISION RECORD				
REV	ECN	DESCRIPTION	DRFT	DATE



- Housings Feature**
1. Material: Zinc die-cast
 2. Surface: Powder-coated
 3. Color: grey (RAL 7037)
 4. Material: Metal (Lever)
 5. Sealing: NBR
 6. Limiting temperatures: $-40^{\circ}\text{C} \sim +125^{\circ}\text{C}$
 7. Flammability acc to UL94: V0
 8. Degree of protection acc. to EN60529 for coupled connector: IP65
 9. Rohs compliance

DETACHED LISTS			
PART NO.:	DEGSON ®	NAME:	D3A-BK-SE-1L
APPR:			宁波高松电子有限公司
CHKD:			NINGBO DEGSON ELECTRICAL CO., LTD
DRFT: Mr. yqing2018.06.16	TITLE:	CUSTOMER DRAWING	REV
	DRAWING NO.:		DO-1
			SHEET
			1/1
			SCALE
			1.5:1

A 8 7 6 5 4 3 2 1