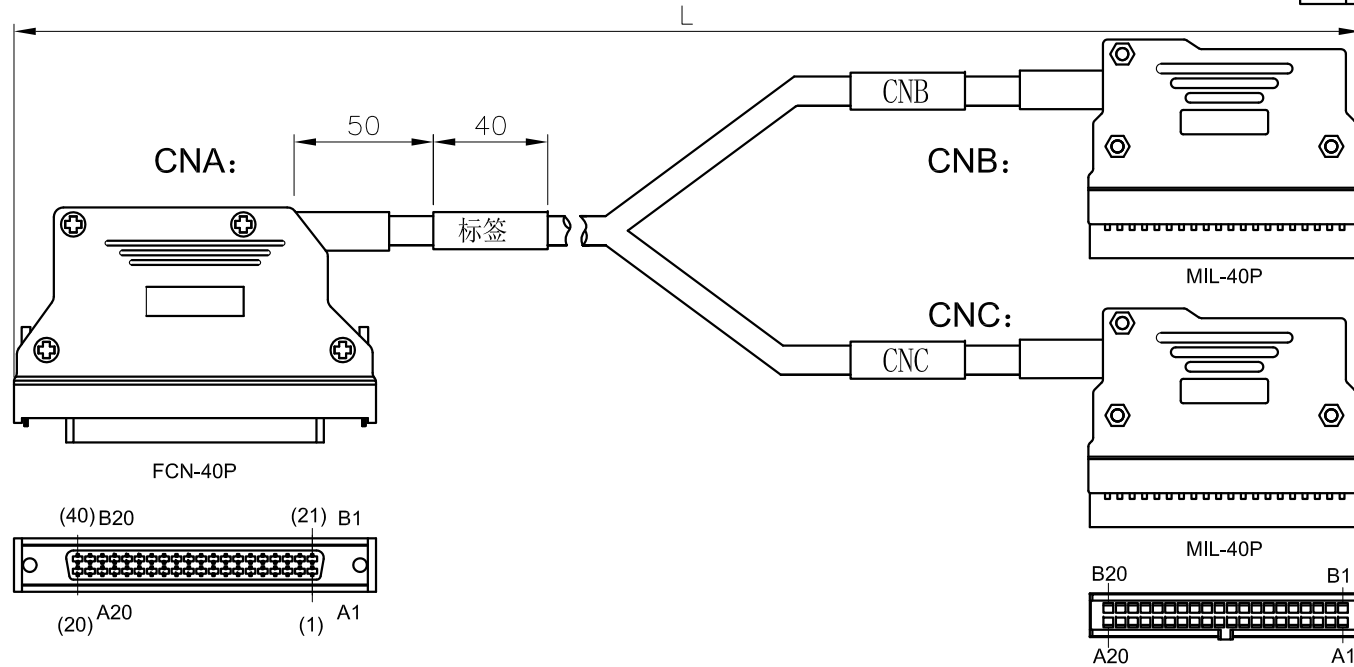
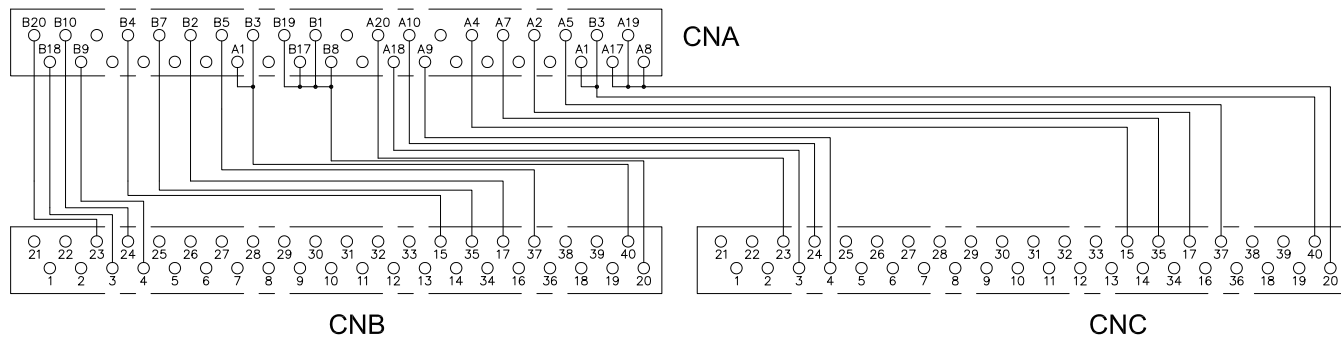


REVISION RECORD

REV	ECN	DESCRIPTION	DRFT	DATE



Wiring Diagram:



Specifications	
Rated voltage	30V
Rated current	0.7A
Insulation resistance	≥ 100MΩ
Withstand voltage	500V AC
Temperature range	-25°C~+85°C
Withstand vltage	/

DETACHED LISTS	PART NO.:	宁波高松电子有限公司 NINGBO DEGSON ELECTRICAL CO., LTD		
	APPD:	NAME: DX212-2S-XX-00A(H)		
	CHKD:	TITLE: ASSEMBLY DRAWING		
	DRFT:	DRAWING NO.: 23000004	REV	1/1
	THIRD ANGLE PROJECTION	← MM (INCH) → DO NOT SCALE DRAWING	SCALE	1:1