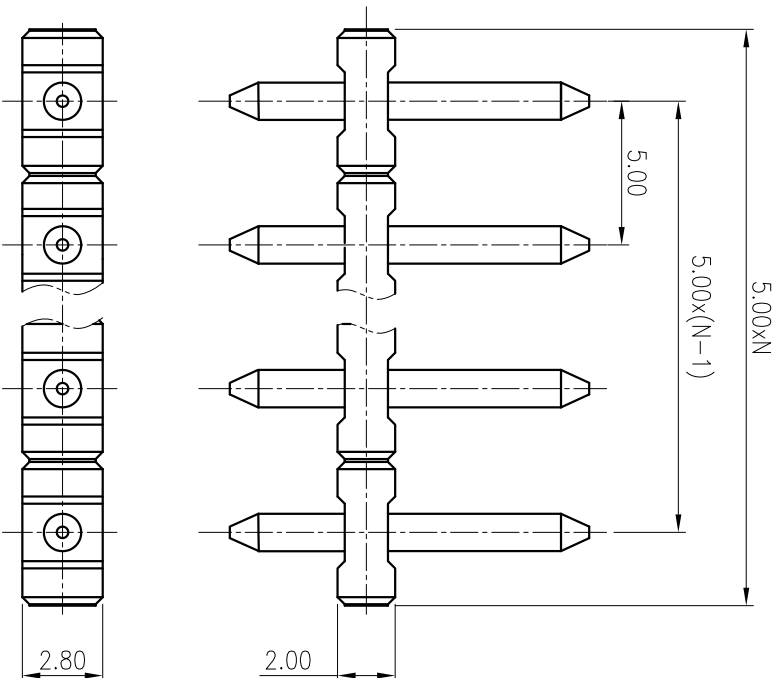
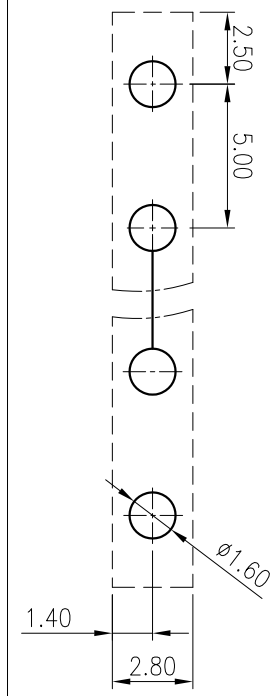


PCB LAYOUT



公差/General Tolerances(mm)		0.1/10
0	>3	>180
~	>6	>315
~	>10	>500
~	>18	>1000
~	>30	>1500
~	>50	>2000
~	>80	>2500
~	>120	>3000
~	>180	>3500
~	>250	>4000
~	>315	>4500
~	>400	>5000
~	>500	>5500
~	>630	>6000
~	>800	>6500
~	>1000	>7000
~	>1250	>7500
~	>1600	>8000
~	>2000	>8500
~	>2500	>9000
~	>3150	>9500
~	>4000	>10000
~	>5000	>10500
~	>6300	>11000
~	>8000	>11500
~	>10000	>12000
~	>12500	>12500
~	>16000	>13000
~	>20000	>13500
~	>25000	>14000
~	>31500	>14500
~	>40000	>15000
~	>50000	>15500
~	>63000	>16000
~	>80000	>16500
~	>100000	>17000
~	>125000	>17500
~	>160000	>18000
~	>200000	>18500
~	>250000	>19000
~	>315000	>19500
~	>400000	>20000
~	>500000	>20500
~	>630000	>21000
~	>800000	>21500
~	>1000000	>22000
~	>1250000	>22500
~	>1600000	>23000
~	>2000000	>23500
~	>2500000	>24000
~	>3150000	>24500
~	>4000000	>25000
~	>5000000	>25500
~	>6300000	>26000
~	>8000000	>26500
~	>10000000	>27000
~	>12500000	>27500
~	>16000000	>28000
~	>20000000	>28500
~	>25000000	>29000
~	>31500000	>29500
~	>40000000	>30000
~	>50000000	>30500
~	>63000000	>31000
~	>80000000	>31500
~	>100000000	>32000
~	>125000000	>32500
~	>160000000	>33000
~	>200000000	>33500
~	>250000000	>34000
~	>315000000	>34500
~	>400000000	>35000
~	>500000000	>35500
~	>630000000	>36000
~	>800000000	>36500
~	>1000000000	>37000
~	>1250000000	>37500
~	>1600000000	>38000
~	>2000000000	>38500
~	>2500000000	>39000
~	>3150000000	>39500
~	>4000000000	>40000
~	>5000000000	>40500
~	>6300000000	>41000
~	>8000000000	>41500
~	>10000000000	>42000
~	>12500000000	>42500
~	>16000000000	>43000
~	>20000000000	>43500
~	>25000000000	>44000
~	>31500000000	>44500
~	>40000000000	>45000
~	>50000000000	>45500
~	>63000000000	>46000
~	>80000000000	>46500
~	>100000000000	>47000
~	>125000000000	>47500
~	>160000000000	>48000
~	>200000000000	>48500
~	>250000000000	>49000
~	>315000000000	>49500
~	>400000000000	>50000
~	>500000000000	>50500
~	>630000000000	>51000
~	>800000000000	>51500
~	>1000000000000	>52000
~	>1250000000000	>52500
~	>1600000000000	>53000
~	>2000000000000	>53500
~	>2500000000000	>54000
~	>3150000000000	>54500
~	>4000000000000	>55000
~	>5000000000000	>55500
~	>6300000000000	>56000
~	>8000000000000	>56500
~	>10000000000000	>57000
~	>12500000000000	>57500
~	>16000000000000	>58000
~	>20000000000000	>58500
~	>25000000000000	>59000
~	>31500000000000	>59500
~	>40000000000000	>60000
~	>50000000000000	>60500
~	>63000000000000	>61000
~	>80000000000000	>61500
~	>100000000000000	>62000
~	>125000000000000	>62500
~	>160000000000000	>63000
~	>200000000000000	>63500
~	>250000000000000	>64000
~	>315000000000000	>64500
~	>400000000000000	>65000
~	>500000000000000	>65500
~	>630000000000000	>66000
~	>800000000000000	>66500
~	>1000000000000000	>67000
~	>1250000000000000	>67500
~	>1600000000000000	>68000
~	>2000000000000000	>68500
~	>2500000000000000	>69000
~	>3150000000000000	>69500
~	>4000000000000000	>70000
~	>5000000000000000	>70500
~	>6300000000000000	>71000
~	>8000000000000000	>71500
~	>10000000000000000	>72000
~	>12500000000000000	>72500
~	>16000000000000000	>73000
~	>20000000000000000	>73500
~	>25000000000000000	>74000
~	>31500000000000000	>74500
~	>40000000000000000	>75000
~	>50000000000000000	>75500
~	>63000000000000000	>76000
~	>80000000000000000	>76500
~	>100000000000000000	>77000
~	>125000000000000000	>77500
~	>160000000000000000	>78000
~	>200000000000000000	>78500
~	>250000000000000000	>79000
~	>315000000000000000	>79500
~	>400000000000000000	>80000
~	>500000000000000000	>80500
~	>630000000000000000	>81000
~	>800000000000000000	>81500
~	>1000000000000000000	>82000
~	>1250000000000000000	>82500
~	>1600000000000000000	>83000
~	>2000000000000000000	>83500
~	>2500000000000000000	>84000
~	>3150000000000000000	>84500
~	>4000000000000000000	>85000
~	>5000000000000000000	>85500
~	>6300000000000000000	>86000
~	>8000000000000000000	>86500
~	>10000000000000000000	>87000
~	>12500000000000000000	>87500
~	>16000000000000000000	>88000
~	>20000000000000000000	>88500
~	>25000000000000000000	>89000
~	>31500000000000000000	>89500
~	>40000000000000000000	>90000
~	>50000000000000000000	>90500
~	>63000000000000000000	>91000
~	>80000000000000000000	>91500
~	>100000000000000000000	>92000
~	>125000000000000000000	>92500
~	>160000000000000000000	>93000
~	>200000000000000000000	>93500
~	>250000000000000000000	>94000
~	>315000000000000000000	>94500
~	>400000000000000000000	>95000
~	>500000000000000000000	>95500
~	>630000000000000000000	>96000
~	>800000000000000000000	>96500
~	>1000000000000000000000	>97000
~	>1250000000000000000000	>97500
~	>1600000000000000000000	>98000
~	>2000000000000000000000	>98500
~	>2500000000000000000000	>99000
~	>3150000000000000000000	>99500
~	>4000000000000000000000	>100000
~	>5000000000000000000000	>100500
~	>6300000000000000000000	>101000
~	>8000000000000000000000	>101500
~	>10000000000000000000000	>102000
~	>12500000000000000000000	>102500
~	>16000000000000000000000	>103000
~	>20000000000000000000000	>103500
~	>25000000000000000000000	>104000
~	>31500000000000000000000	>104500
~	>40000000000000000000000	>105000
~	>50000000000000000000000	>105500
~	>63000000000000000000000	>106000
~	>80000000000000000000000	>106500
~	>100000000000000000000000	>107000
~	>125000000000000000000000	>107500
~	>160000000000000000000000	>108000
~	>200000000000000000000000	>108500
~	>250000000000000000000000	>109000
~	>315000000000000000000000	>109500
~	>400000000000000000000000	>110000
~	>500000000000000000000000	>110500
~	>630000000000000000000000	>111000
~	>800000000000000000000000	>111500
~	>1000000000000000000000000	>112000
~	>1250000000000000000000000	>112500
~	>1600000000000000000000000	>113000
~	>2000000000000000000000000	>113500
~	>2500000000000000000000000	>114000
~	>3150000000000000000000000	>114500
~	>4000000000000000000000000	>115000
~	>5000000000000000000000000	>115500
~	>6300000000000000000000000	>116000
~	>8000000000000000000000000	>116500
~	>10000000000000000000000000	>117000
~	>12500000000000000000000000	>117500
~	>16000000000000000000000000	>118000
~	>20000000000000000000000000	>118500
~	>25000000000000000000000000	>119000
~	>31500000000000000000000000	>119500
~	>40000000000000000000000000	>1