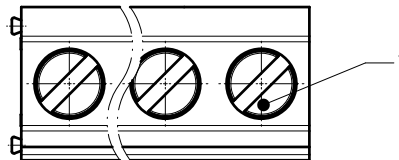
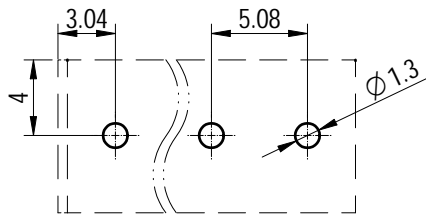
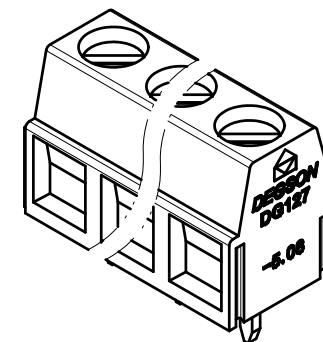
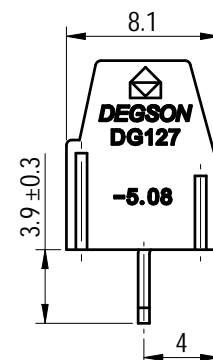
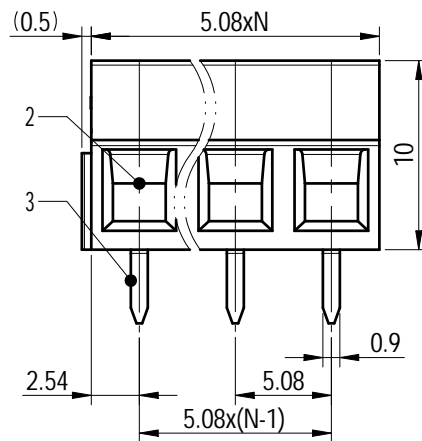
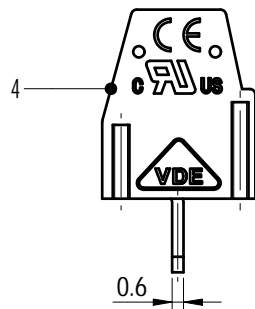


PCB LAYOUT



未注公差/General tolerances (mm)											$\frac{\text{D}}{\text{d}}$			
0	>3	>6	>10	>18	>30	>50	>80	>120	>180	>250	>315	>400	>500	0.1/10
~3	~6	~10	~18	~30	~50	~80	~120	~180	~250	~315	~400	~500	>500	
$\pm 0.12$	$\pm 0.18$	$\pm 0.22$	$\pm 0.26$	$\pm 0.31$	$\pm 0.37$	$\pm 0.57$	$\pm 0.80$	$\pm 0.93$	$\pm 1.05$	$\pm 1.15$	$\pm 1.60$	$\pm 2.20$	$\pm 2.50$	$\pm 2'$

UL 标准/UL Standard:	B	C	D
额定电压/电流/Rated Voltage(V)/Current(A)	300/12	/	/
IEC 标准/IEC Standard:			
过压类别/Overvoltage Category/污染等级/Pollution Degree	III/3	III/2	II/2
额定电压/电流/Rated Voltage(V)/Current(A)	/	250/15	/
工频耐压/ Withstand voltage( V/1Min)	AC2000		
螺丝扭矩/Torque Tightening(N·m/Lb.in)	M3, 02P 0.34/3.1 $\geq 03P$ 0.5/4.5		
线径范围(硬线和软线)/Wire Range(rigid and flexible)(AWG/mm <sup>2</sup> )	26~14/ 0.75~1.5		
间距/Pitch(mm)/线数范围/Poles	5.08N=02~24P		
剥线长度/Stripping length(mm)	6~7		
使用温度范围/Operating temperature(°C)	-40~+105		
符合RoHS环保要求/Conform to RoHS	Yes		



Note:  
The A&Z(H) in the name means :A(H) and Z(H).

ITEM	NAME OF PART	MATERIAL	NOTES
4	Housing	PA66	UL94V-0
3	Pin header	Copper alloy	Sn Plated
2	Cage	Copper alloy	M3/Ni Plated
1	Screw	Steel	M3/Zn Plated

APPD: 兰春华 2022.09.01		MATERIAL: /		SURFACE/COLOR: /	
CHKD: 陈招 2022.09.01		MAT NO./REV: - / 00		MAT STATUS: 批量	
DRFT: 柳学龙 2022.08.31		NAME			
		DG127-5.08-XXP-1Y-1000A&Z(H)			
00	REV	ECN	DESCRIPTION	DRFT	DATE
				柳学龙	2022.08.31
DRAWING NO. 200025215		TYPE CUSTOMER DRAWING		DRAWING STATUS 已发布	
SCALE 2.5:1		SHEET 1/1			

REV	ECN	DESCRIPTION	DRFT	DATE
00			柳学龙	2022.08.31

Transfer or duplication of this document as well as the utilization or communication of its contents are prohibited unless authorized in advance. Violations will be prosecuted. All rights reserved for patent, utility model or design registrations. 除专利权明确标注外, 其他标注禁止。复制、引用、交流等文件的行为, 未经事先获得许可, 擅自复制或传播, 公司将依法追究。本公司保留对涉及发明、实用新型及外观设计的所有权利。