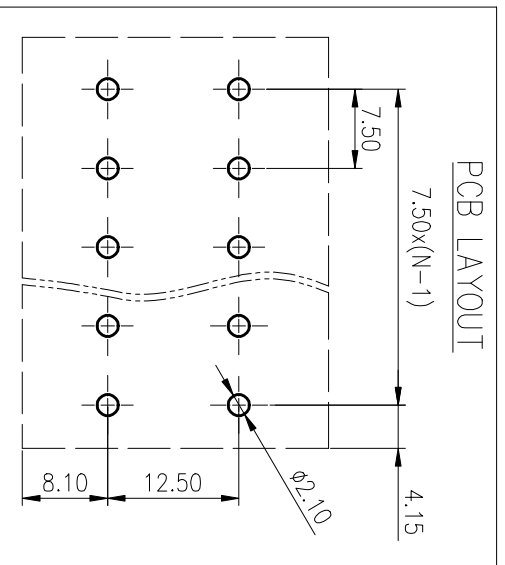
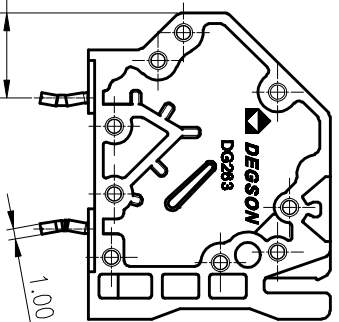
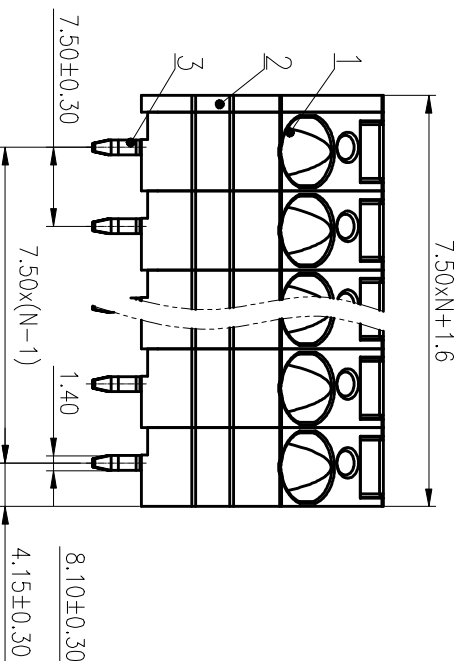
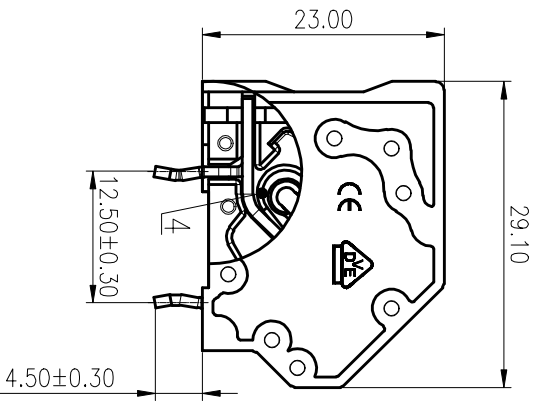
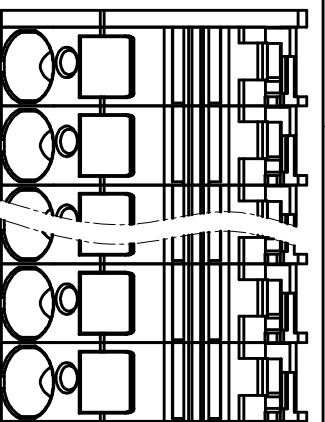


公差等级/General Tolerances(mm)																									
0	>3	>6	>10	>18	>30	>50	>80	>120	>180	>250	>315	>400	>500	0.1/10											
3	~	6	10	18	30	50	80	120	180	250	315	400	500	±Z											
±0.12		±0.18		±0.22		±0.26		±0.31		±0.37		±0.57		±0.80		±1.05		±1.15		±1.60		±2.20		±2.50	



4	Spring	Stainless steel	/
3	Pin Header	Copper	Sn Plated
2	Cover	PA66	UL94V-0
1	Housing	PA66	UL94V-0
ITEM	NAME OF PART	MATERIAL	NOTES

UL 标准 /UL Standard:		B	C	D
额定电压/电涌/Rated Voltage(V)/Current(A)		300/30	/	/
IEC 标准 /IEC Standard:		III/3	III/2	II/2
过压类别/Overvoltage Category/污秽等级/ Pollution Degree				
额定电压/电涌/Rated Voltage(V)/Current(A)		500/41	630/41	1000/41
额定脉冲电压(kV)/Rate Impulse Voltage(kV)		6	6	6
线径范围(硬线和软线)/Wire Range(rigid and flexible)(mm ² /AWG)		0.2~6/24~10		
间距/Pitch(mm)/线数范围/ Poles		7.50/N=01~16P		
剥线长度/Stripping length(mm)		11~12		
使用温度范围/Operating temperature(°C)		-40~+105		
符合RoHS标准/Conform to RoHS		Yes		

MATERIAL: / SURFACE: /

MAT NO.: /
STATUS: /
NAME: **DEGSON® NINGBO DEGSON ELECTRICAL CO., LTD**

Appd: Li GL 2020.06.13
CHKD: Ma EK 2020.06.13
DRAWING NO.: DG263-7.5-C01
NAME: **DG263-7.5-XXP-1Y-00A(H)**

DRAFT: WWF 2015.08.04 TYPE: CUSTOMER DRAWING SCALE: 1.5:1 SHEET 1/1
REV T3

REV	EON	DESCRIPTION	DRAFT	DATE