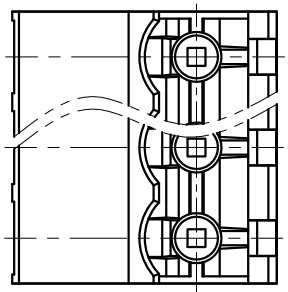
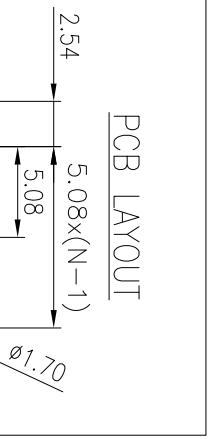
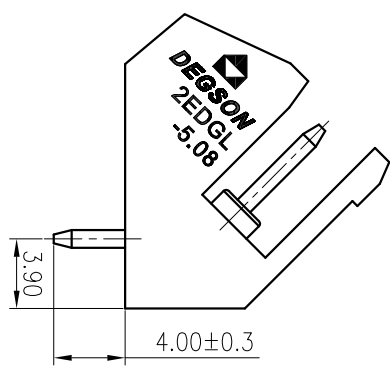
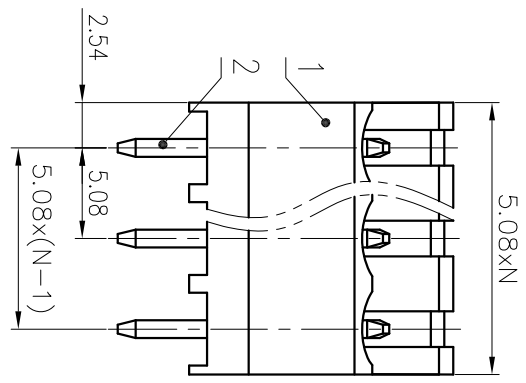
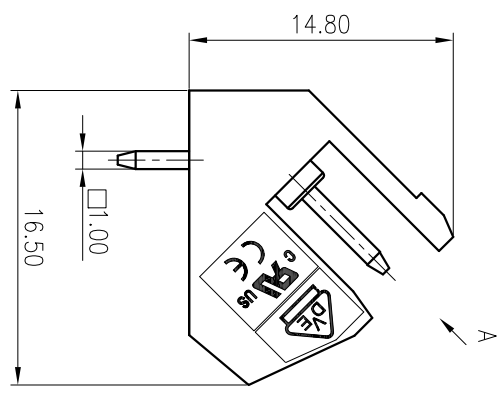


公差表/General Tolerances(mm)										D 0.1/10 ±7			
0	>3	>6	>10	>18	>30	>50	>80	>120	>180		>250	>315	>400
~	~	~	~	~	~	~	~	~	~	~	~	~	~
±0.12	±0.18	±0.22	±0.28	±0.31	±0.37	±0.57	±0.80	±0.93	±1.05	±1.15	±1.60	±2.20	±2.50



2	Pin	Copper	Sn Plated
1	Housing	PAG6	UL94V-0
ITEM	NAME OF PART	MATERIAL	NOTES
UL 标准/UL Standard: B C D			
额定电压/Rated Voltage(V)/Current(A) 300/15 / 300/10			
IEC 标准/IEC Standard: B C D			
过压类别/Overvoltage Category/污染等级 III/3 III/2 II/2			
额定电压/电压/Rated Voltage(V)/Current(A) / 320/20 /			
额定脉冲电压(KV)/Rate Impulse Voltage(KV) / 4.0 /			
间距/Pitch(mm)/线数范围/Poles 5.08/N=02~24P			
使用温度范围/Operating temperature(°C) -40~+105			
符合RoHS环保要求/Conform to RoHS Yes			

MATERIAL: SURFACE: Yes

MAT NO.:	/	宁波高松电子有限公司							
STATUS:	/	NINGBO DEGSON ELECTRICAL CO., LTD							
APPD:	LonCHH 2020.05.16	NAME: 2EDGL-5.08-XXP-1Y-00A(H)							
CHKD:	GongYzh 2020.05.16	DRAWING NO.: 2EDGL-5.08-C01							
DRAFT:	YZ 2015.11.12	TYPE: CUSTOMER DRAWING							
REV	ECN	DESCRIPTION	DRAFT	DATE	SIZE: A4	SCALE: 2.5:1	SHEET	REV	T1
					mm (inch)		1/1		